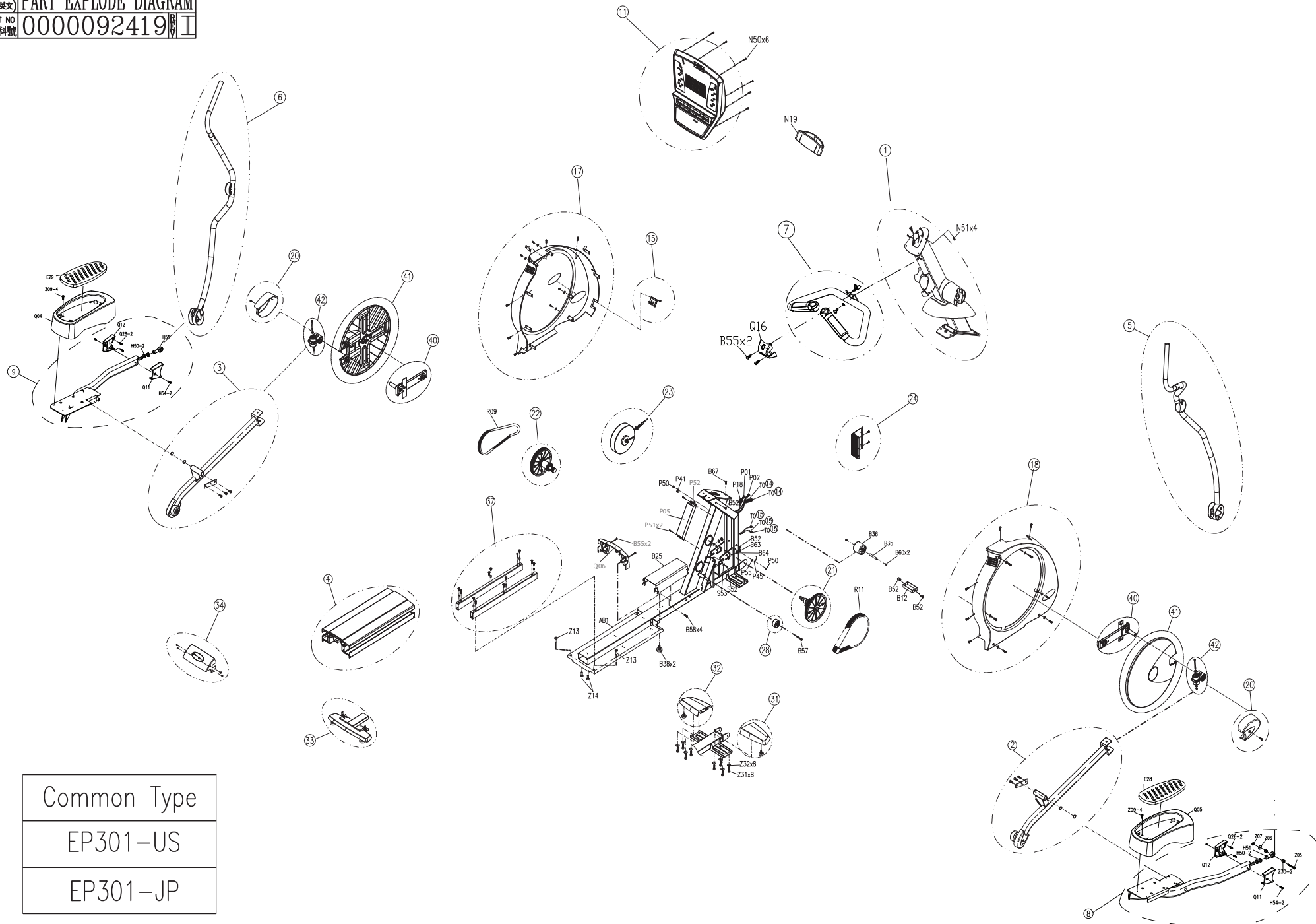
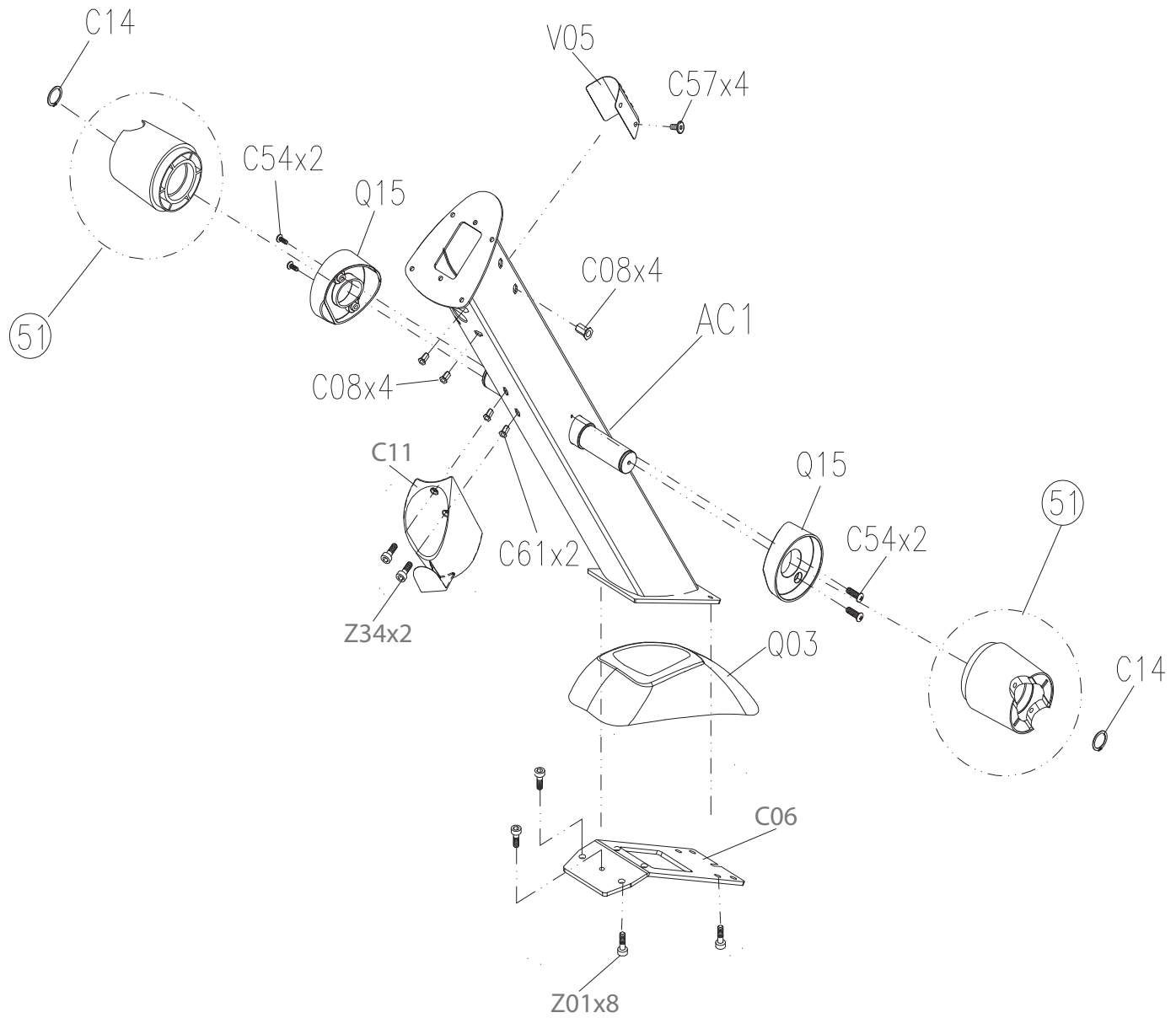


DRAWING NO 圖 號	EP301-A04
PART NAME(CH) 零件名稱(中文)	零件爆炸圖
PART NAME(EN) 零件名稱(英文)	PART EXPLODE DIAGRAM
SAP PART NO SAP料號	0000092419

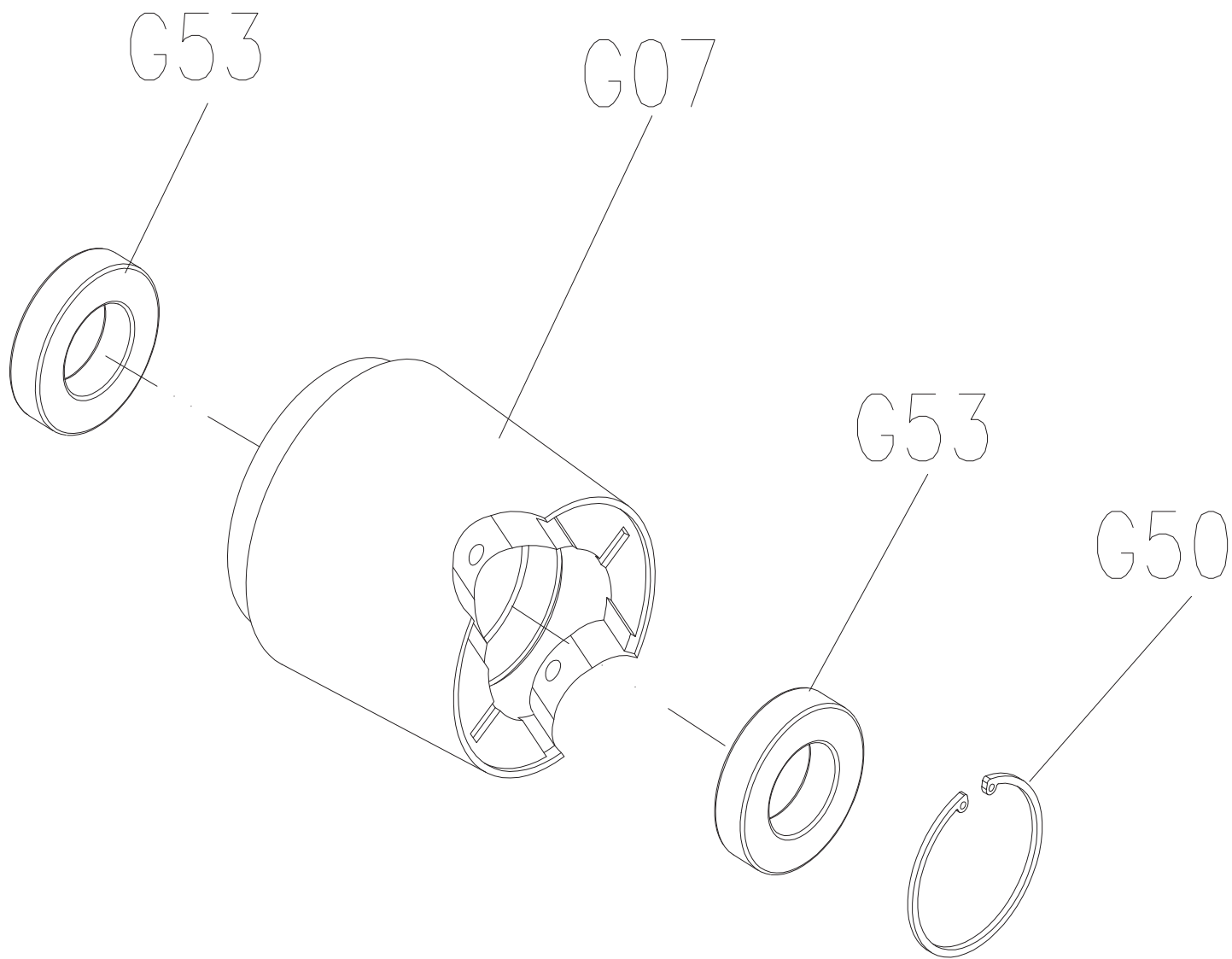


Common Type
EP301-US
EP301-JP

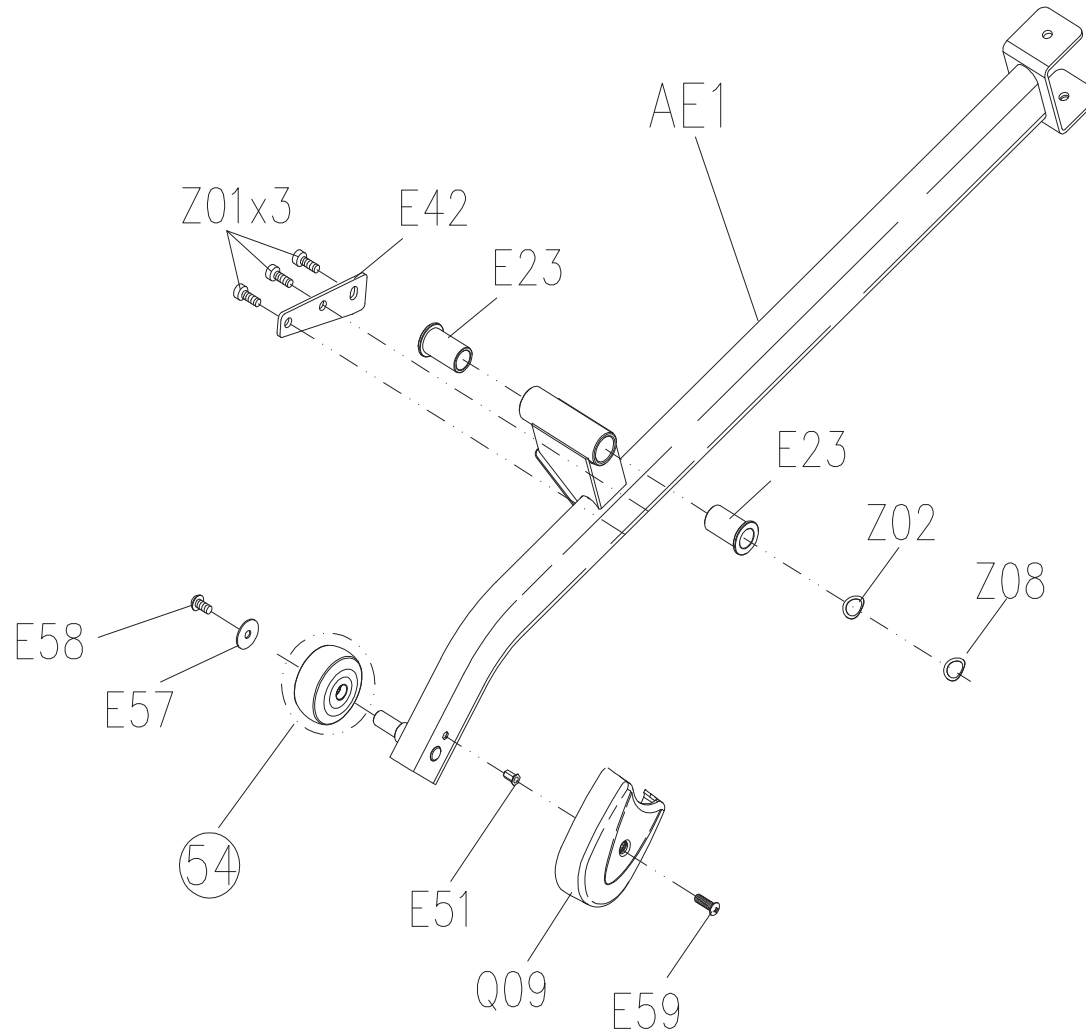
DRAWING NO 圖號	EP301-AC2
PART NAME(CH) 零件名稱(中文)	儀錶桿組
PART NAME(EN) 零件名稱(英文)	CONSOLE MAST SET
SAP PART NO SAP料號	0000092423



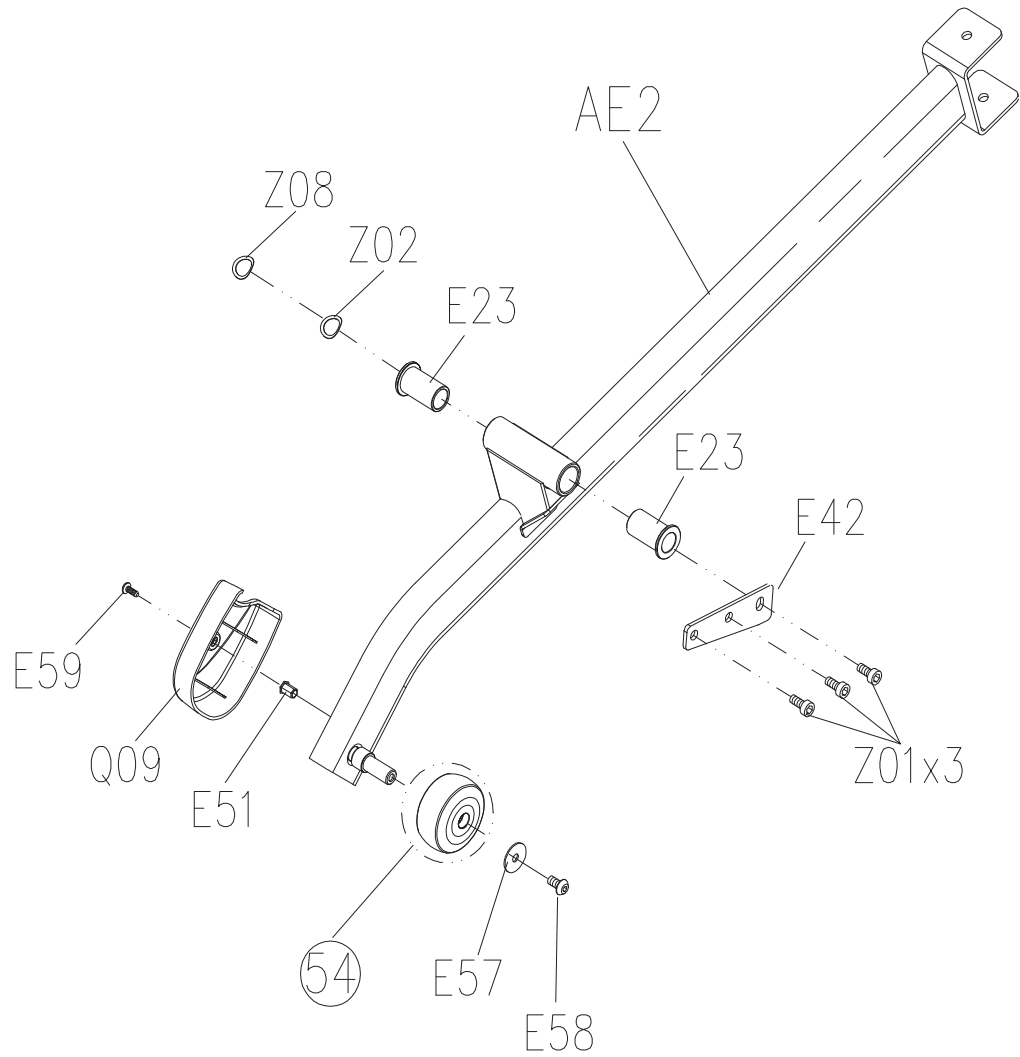
DRAWING NO 圖號	EP81-AG15
PART NAME(CH) 零件名稱(中文)	方定車專 座 系 組
PART NAME(EN) 零件名稱(英文)	ROTATION HOUSING SET
SAP PART NO SAP料號	0000087749  A



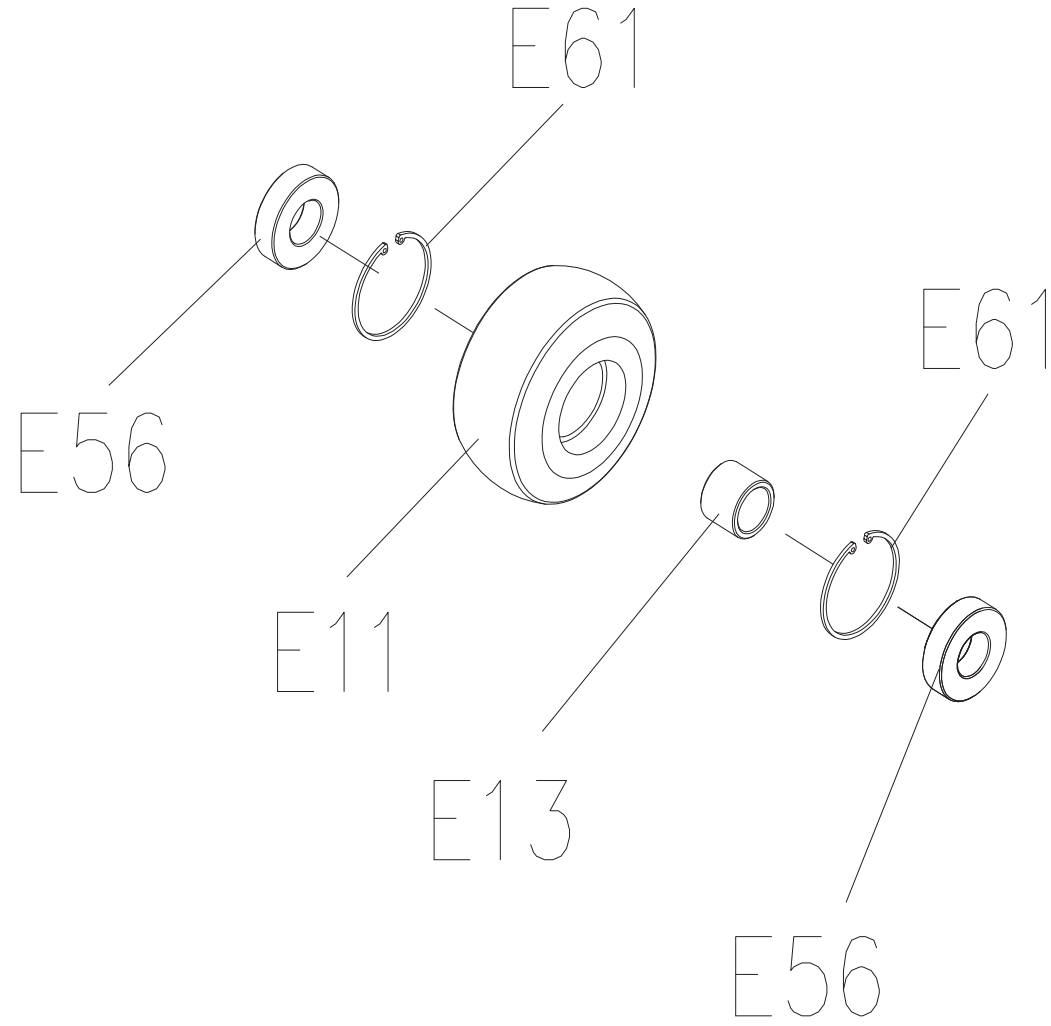
DRAWING NO 圖號	EP81-AE6
PART NAME(CH) 零件名稱(中文)	右擺臂組
PART NAME(EN) 零件名稱(英文)	RIGHT LINK ARM
SAP PART NO SAP料號	0000088119 B



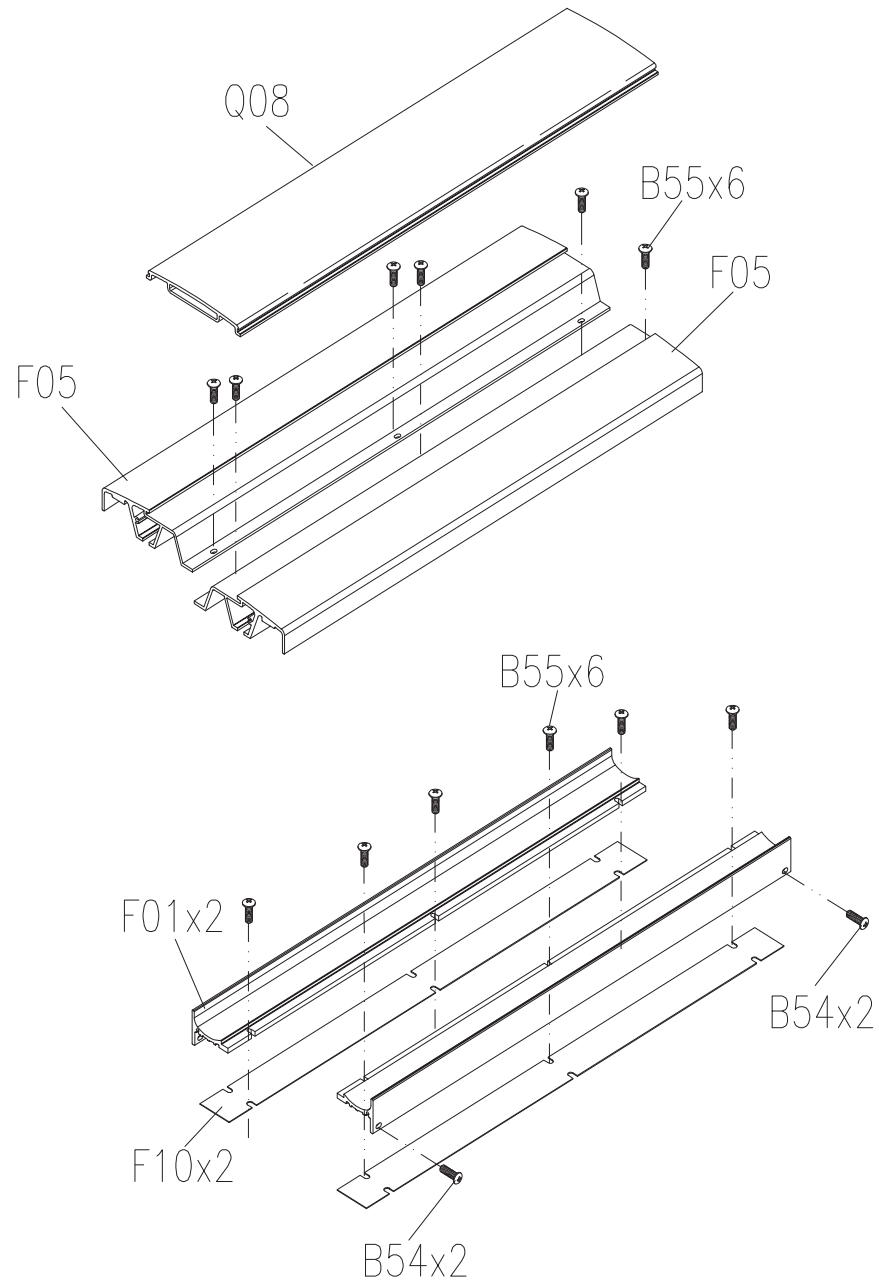
DRAWING NO 圖 號	EP81-AE7
PART NAME(CH) 零件名稱(中文)	左擺臂組
PART NAME(EN) 零件名稱(英文)	LEFT LINK ARM
SAP PART NO SAP料號	0000088120  B



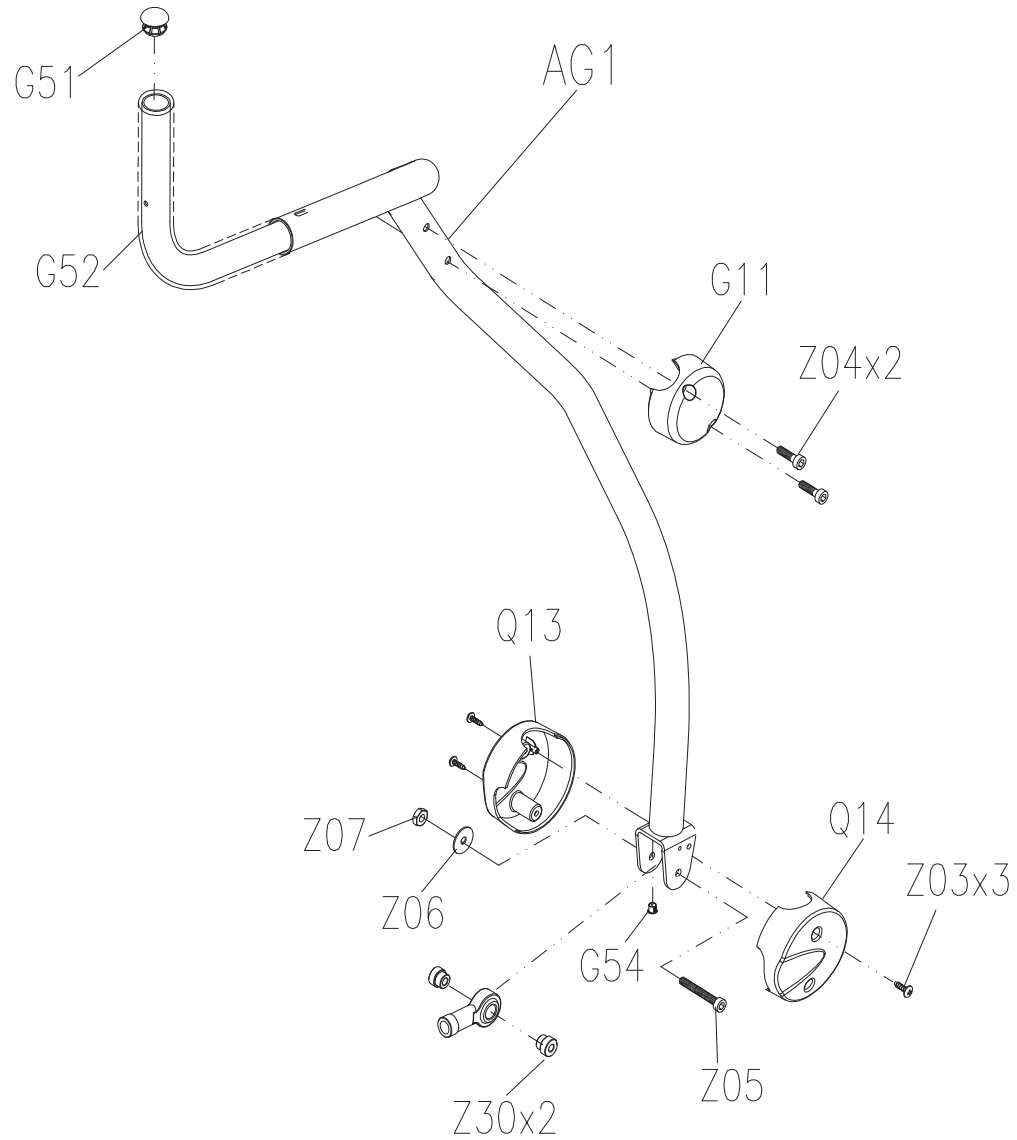
DRAWING NO 圖號	EP81-AE9
PART NAME(CH) 零件名稱(中文)	滾車輪系組
PART NAME(EN) 零件名稱(英文)	ROLLER SET
SAP PART NO SAP料號	0000088151A



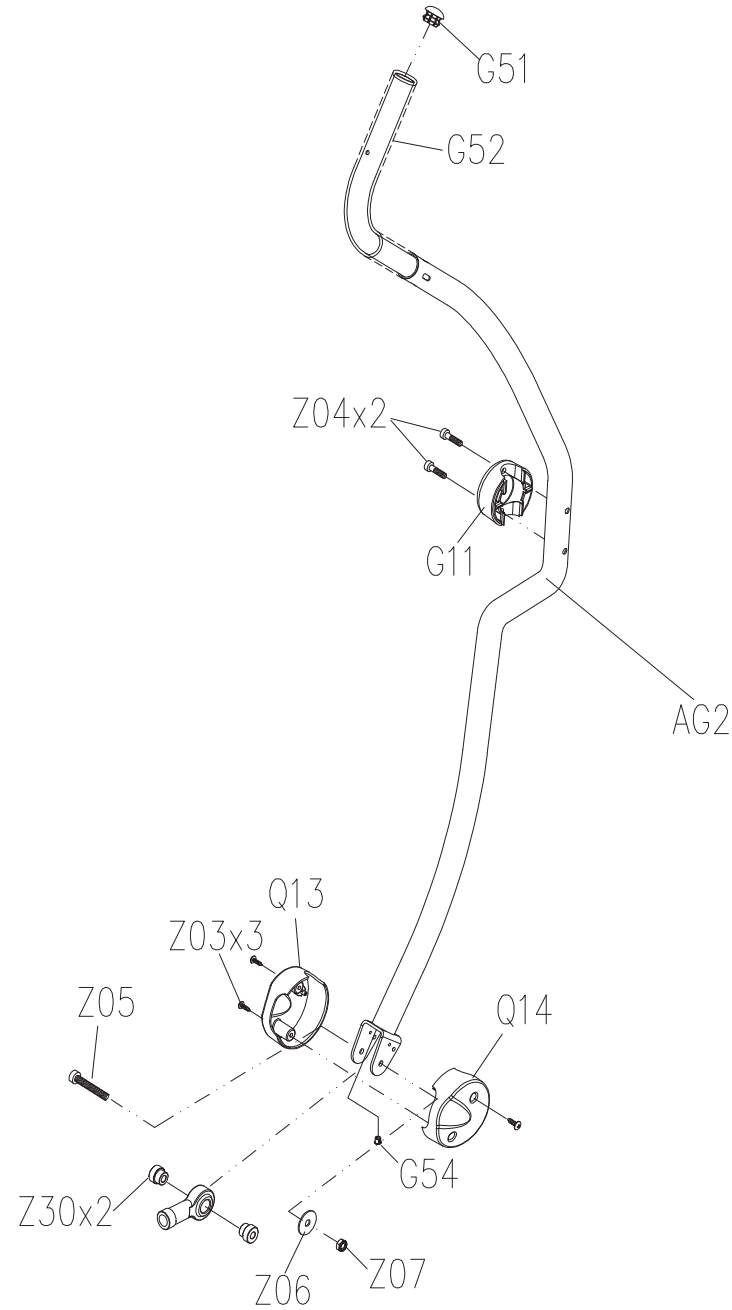
DRAWING NO 圖號	EP81-AF1
PART NAME(CH) 零件名稱(中文)	滑車架組
PART NAME(EN) 零件名稱(英文)	Guide Raid Set
SAP PART NO SAP料號	0000090647 B



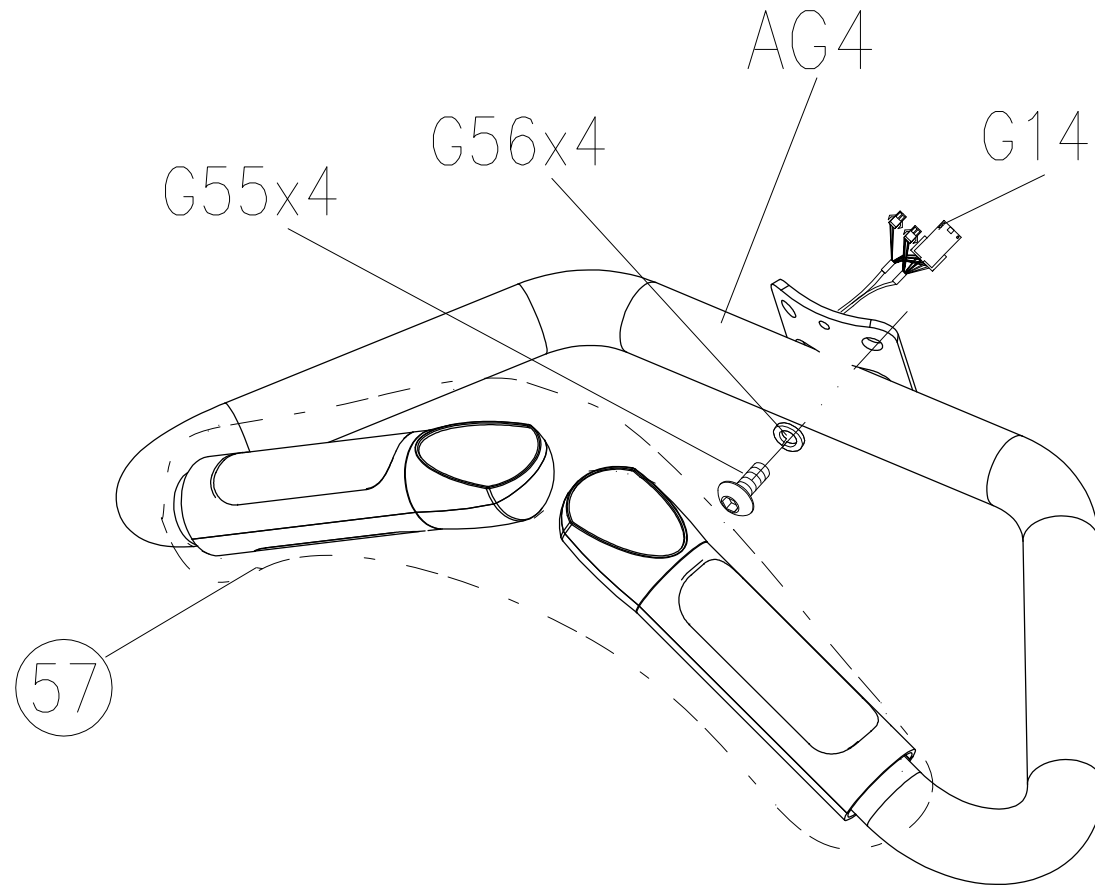
DRAWING NO 圖號	EP81-AG5
PART NAME(CH) 零件名稱(中文)	右扶手組
PART NAME(EN) 零件名稱(英文)	RIGHT-HANDLE BAR SET
SAP PART NO SAP料號	0000087708 B



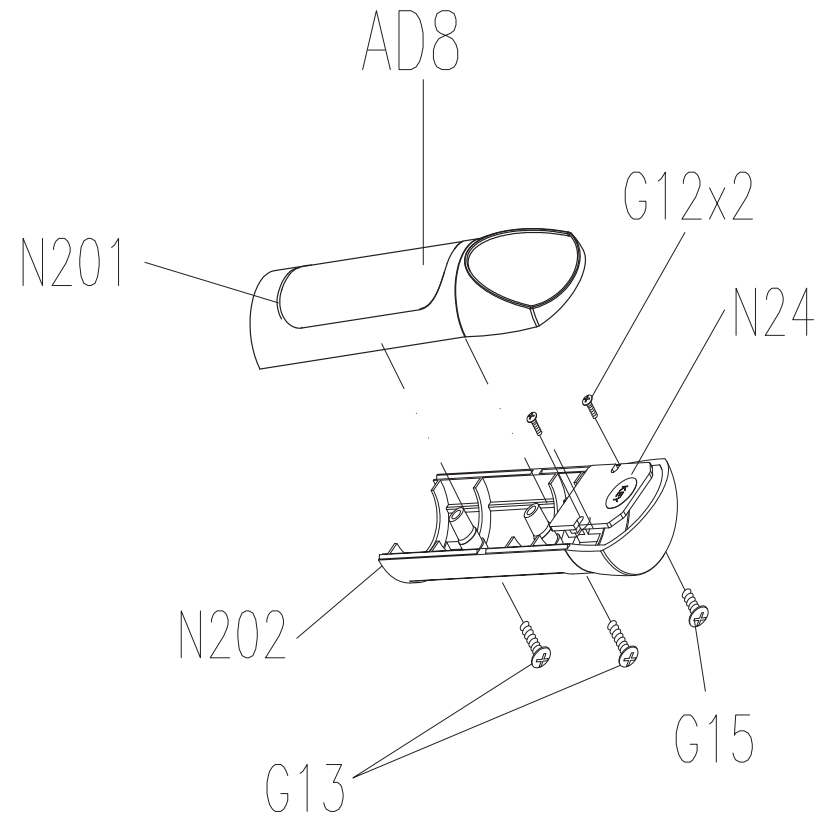
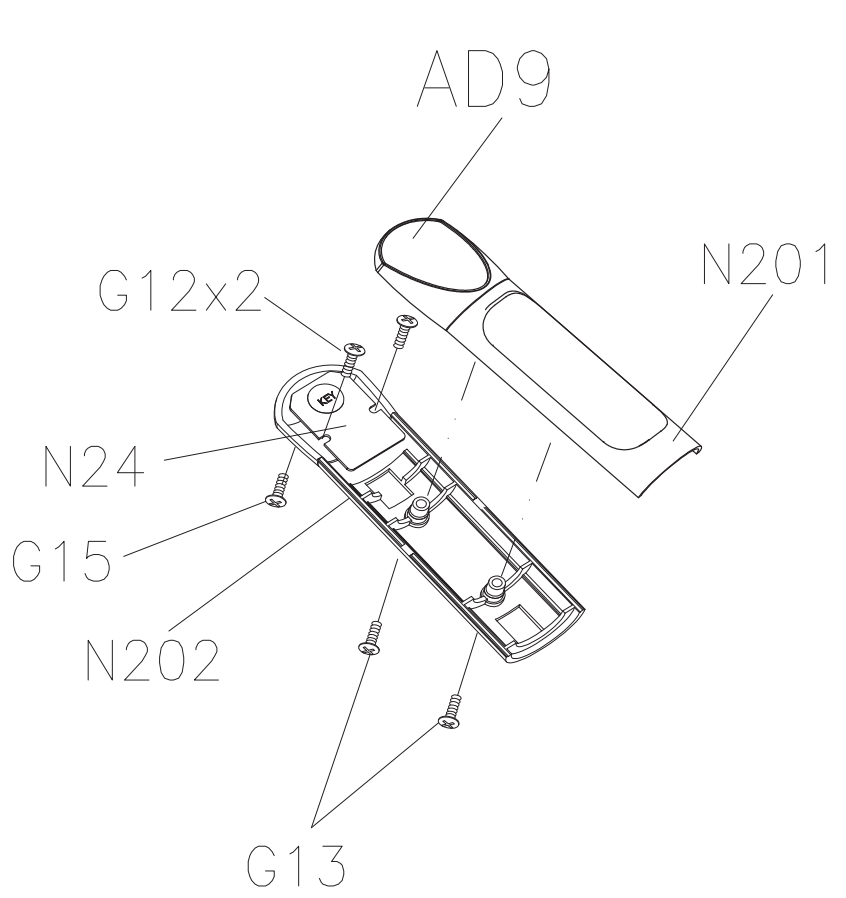
DRAWING NO 圖號	EP81-AG6
PART NAME(CH) 零件名稱(中文)	左扶手組
PART NAME(EN) 零件名稱(英文)	LEFT HANDLEBAR SET
SAP PART NO SAP料號	0000087731 B



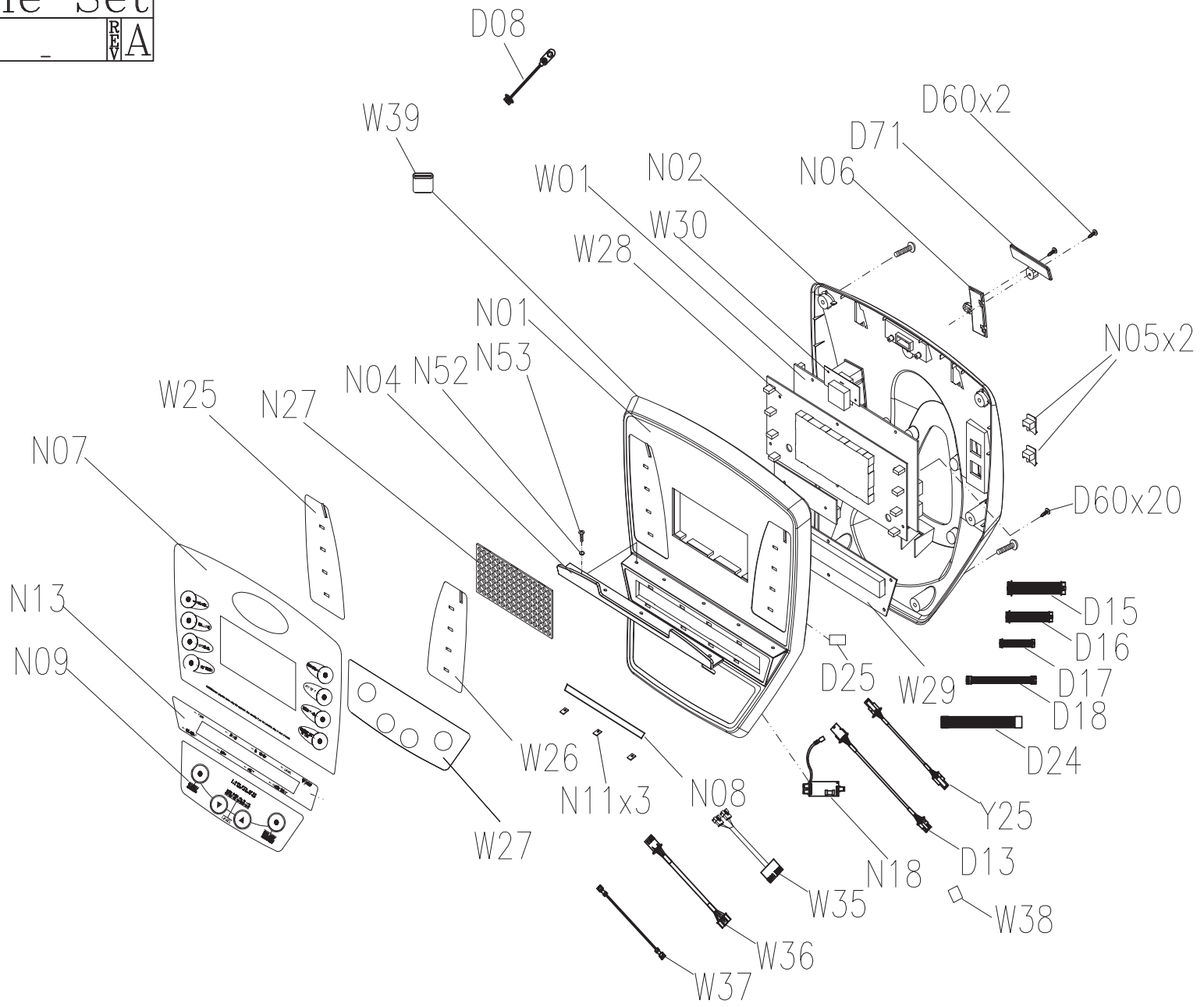
DRAWING NO	EP301-AG7		
PART NAME	FRONT HANDLEBAR SET		
PART NO	As attachment list		
APPROVE	tsaijw	DATE	20110104



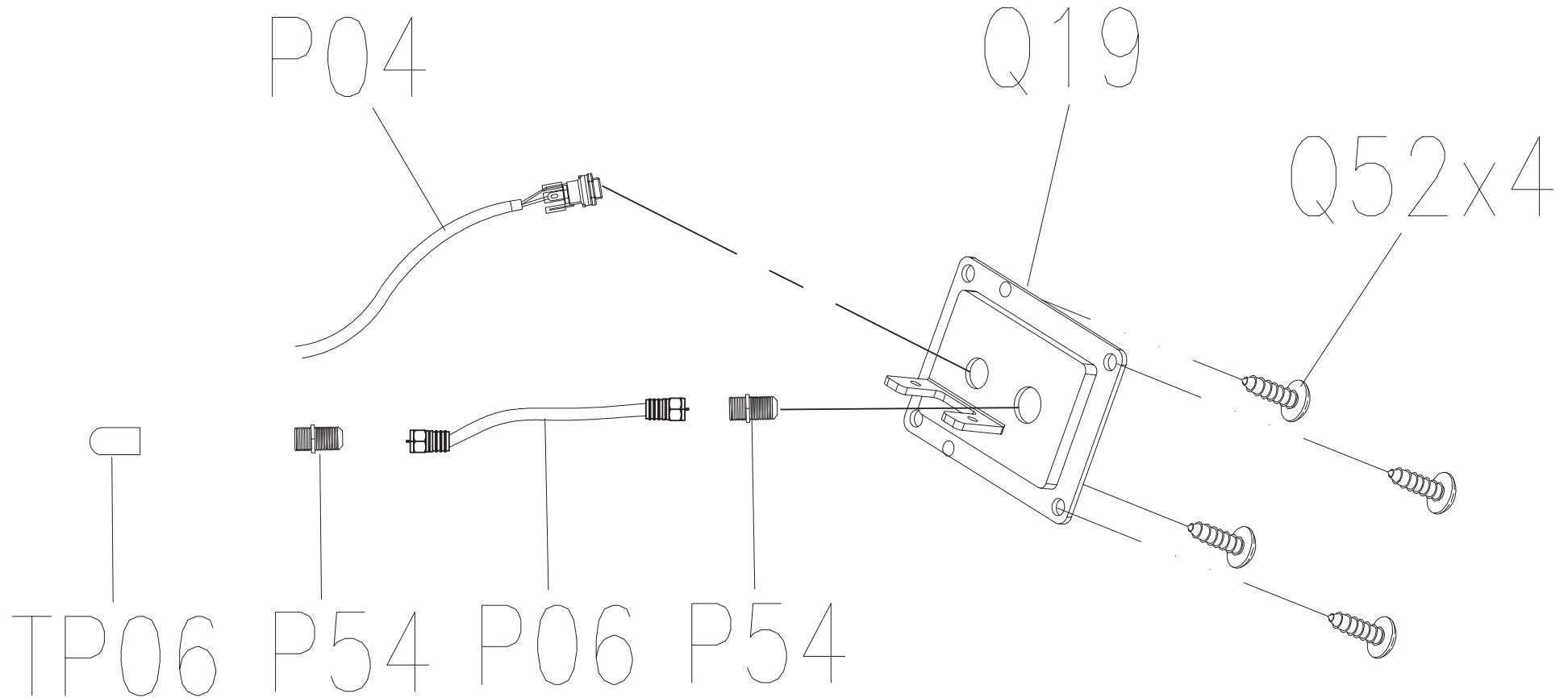
DRAWING NO 圖號	EP301-AN21
PART NAME(CH) 零件名稱(中文)	手握心跳把手組;快速按鍵;右
PART NAME(EN) 零件名稱(英文)	Grip;Sensor GriP;R
SAP PART NO SAP料號	As attachment list  B



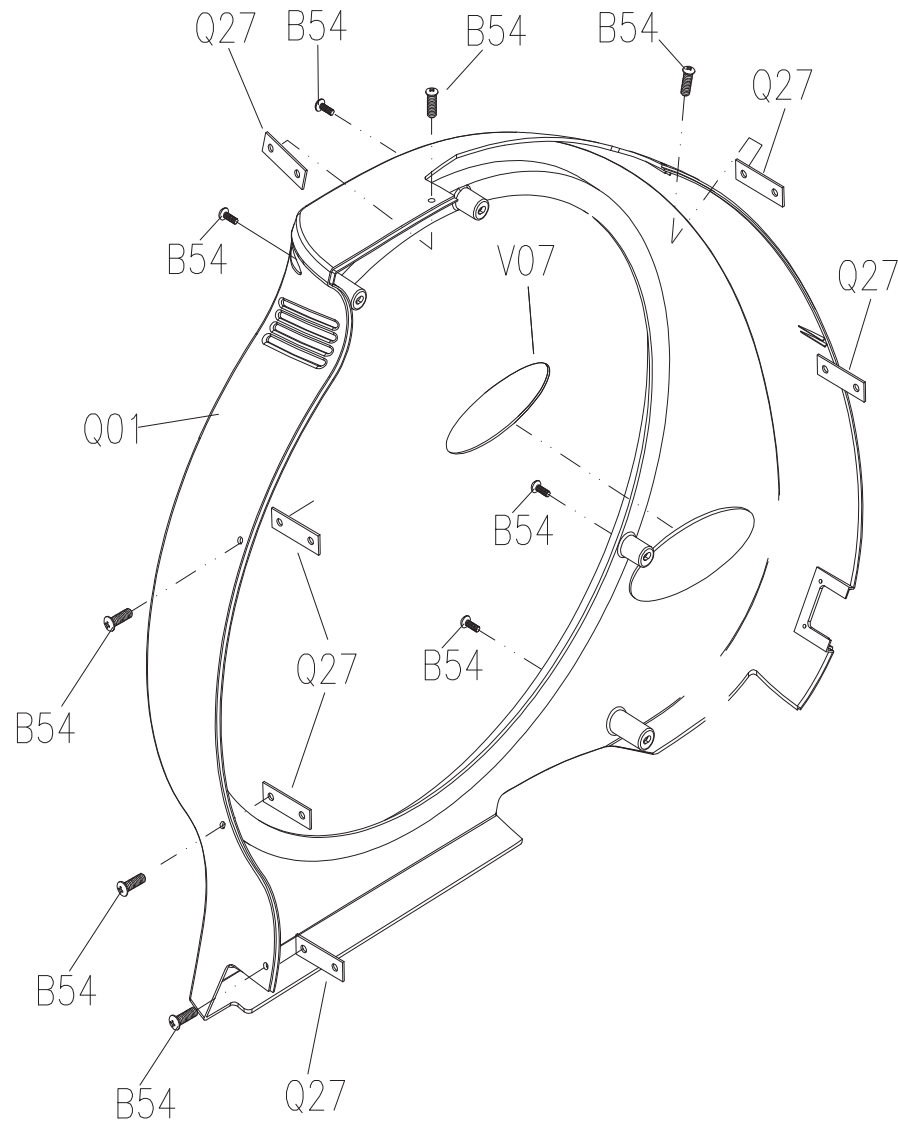
DRAWING NO 圖 號	EP301-AN11
PART NAME(CH) 零件名稱(中文)	停義金表系組
PART NAME(EN) 零件名稱(英文)	Console Set
SAP PART NO SAP料號	- -  A



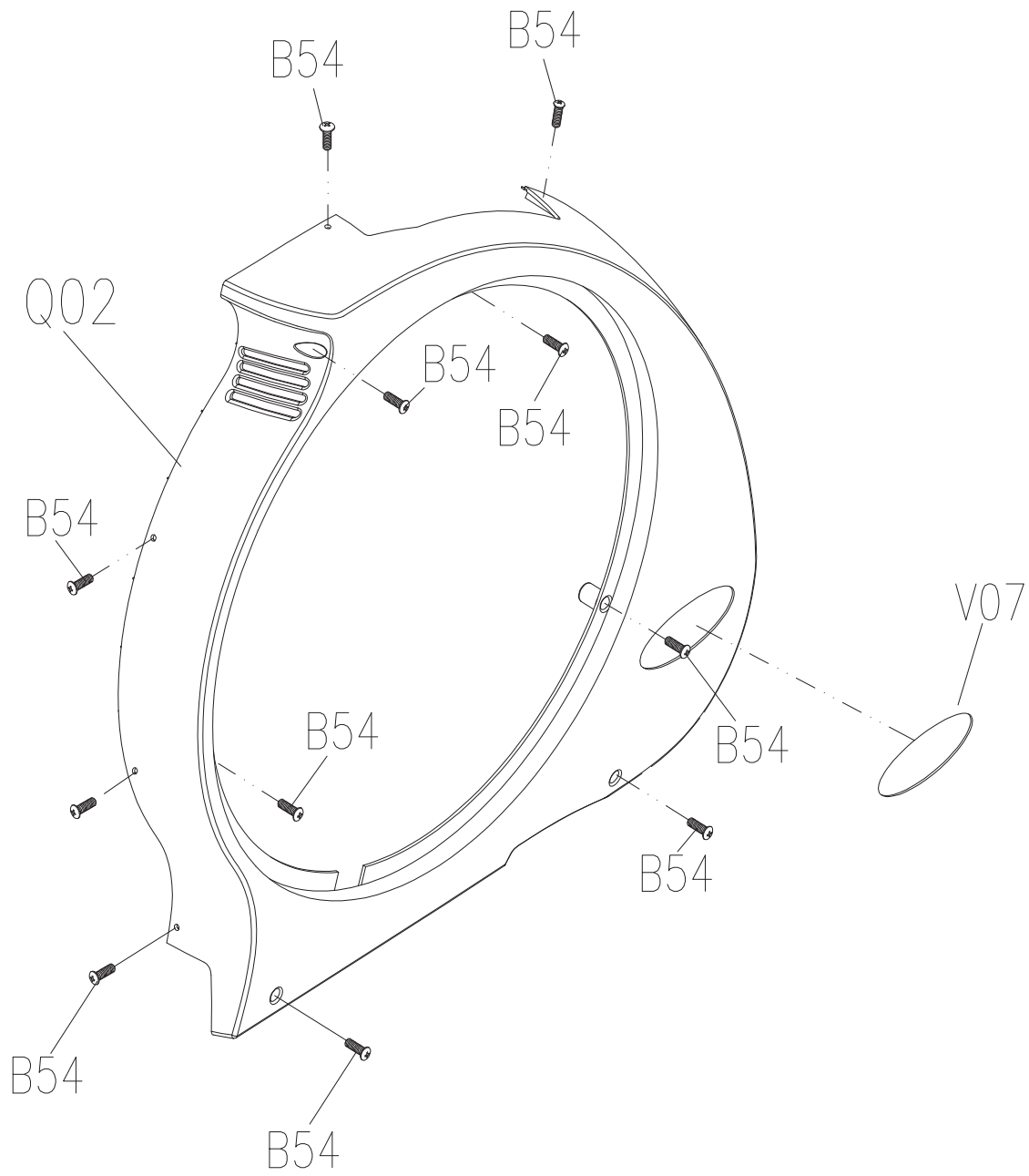
DRAWING NO	EP301-AP15		
PART NAME	E-PORT Fix Plate Set		
PART NO	0000092396		B
APPROVE	Sunny	DATE	093010



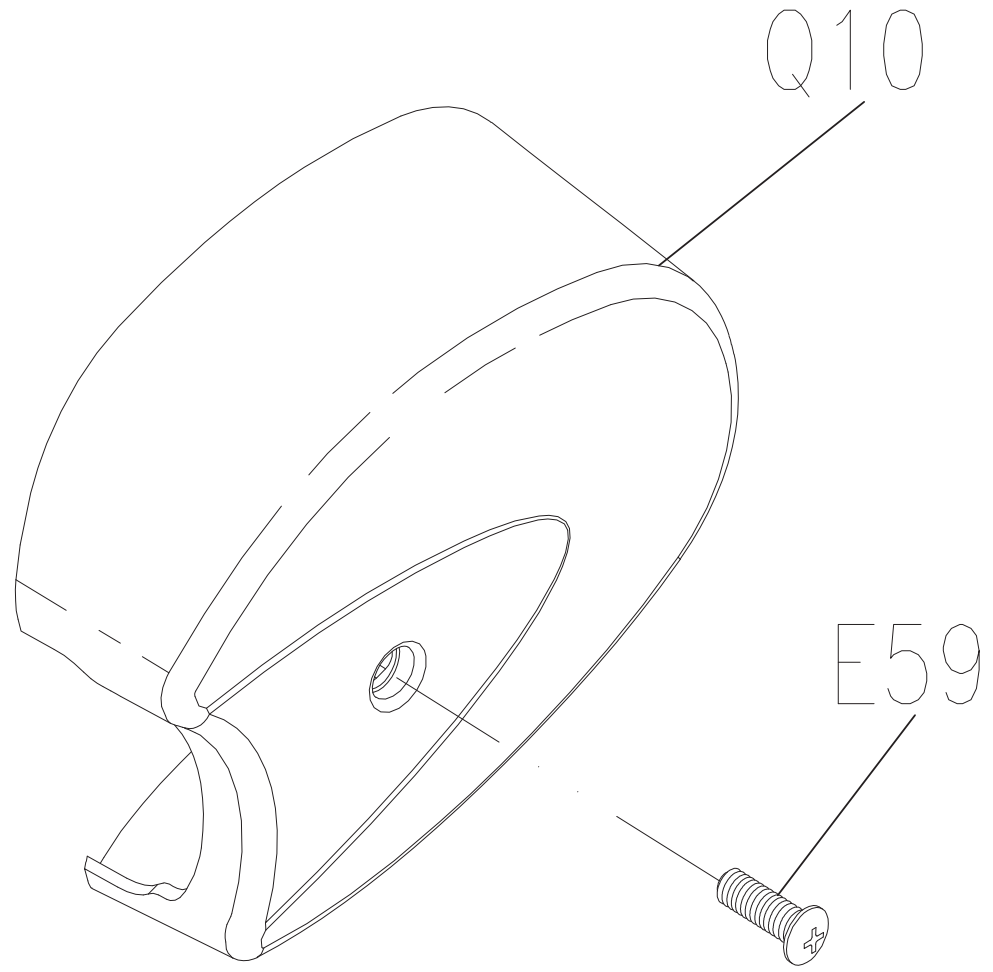
DRAWING NO 圖 號	EP81-AQ1
PART NAME(CH) 零件名稱(中文)	左側蓋組
PART NAME(EN) 零件名稱(英文)	LEFT SIDE COVER
SAP PART NO SAP料號	0000087828 C



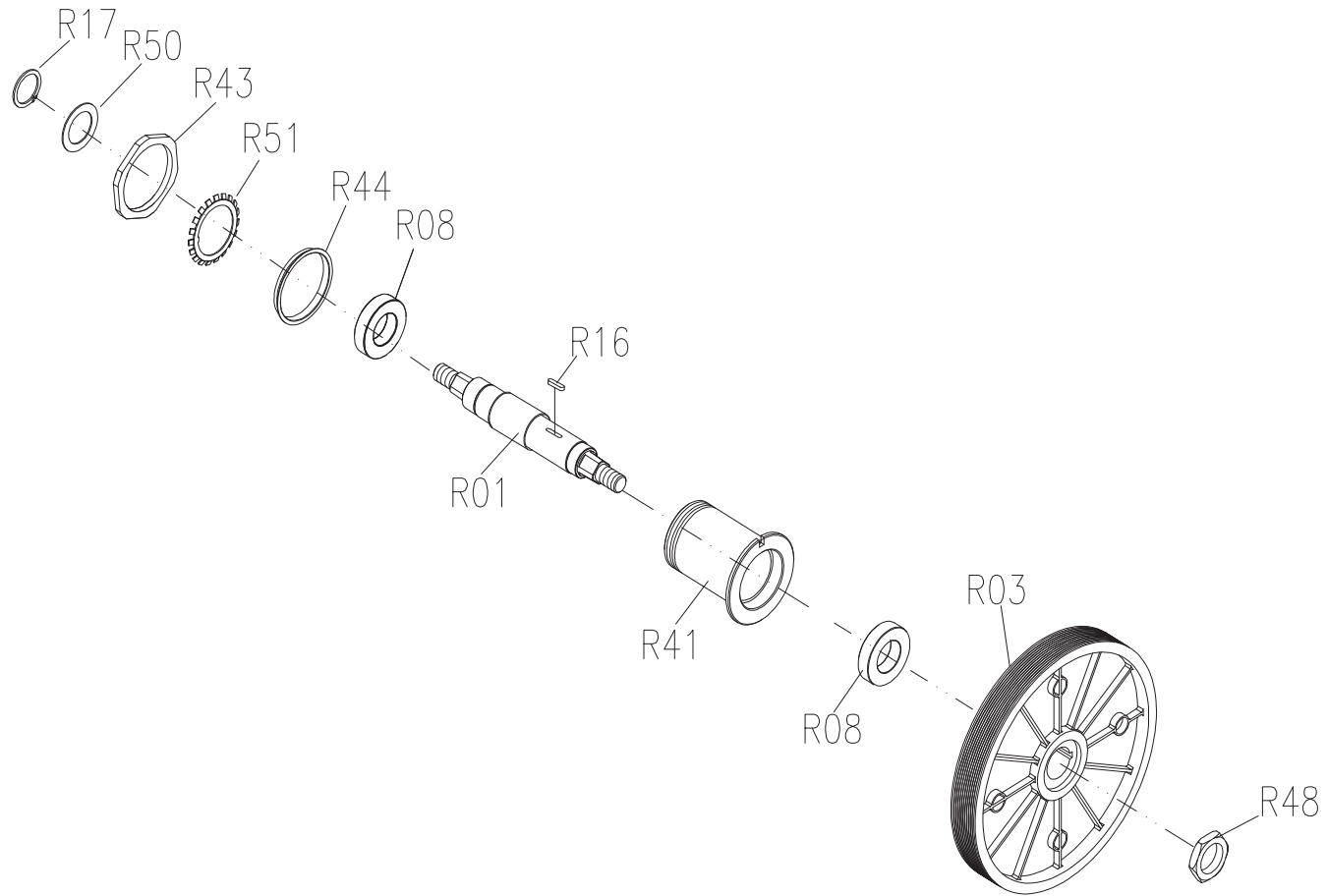
DRAWING NO 圖號	EP81-AQ2	
PART NAME(CH) 零件名稱(中文)	右側蓋組	
PART NAME(EN) 零件名稱(英文)	RIGHT SIDE COVER	
SAP PART NO SAP料號	0000087829	REV C



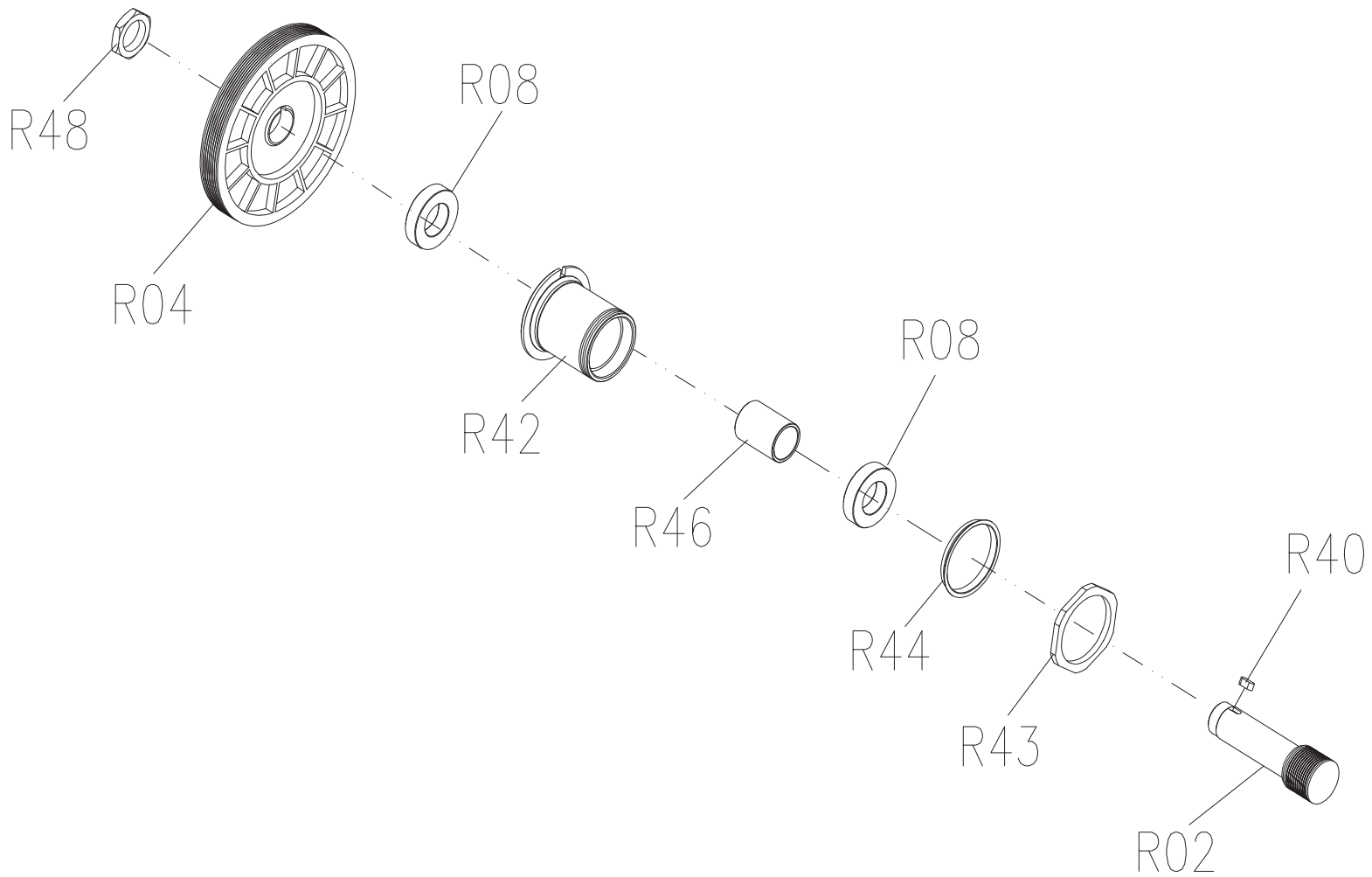
DRAWING NO 圖號	EP81-AQ14
PART NAME(CH) 零件名稱(中文)	曲柄護套組
PART NAME(EN) 零件名稱(英文)	CRANK BOOT
SAP PART NO SAP料號	0000093092
	REV A



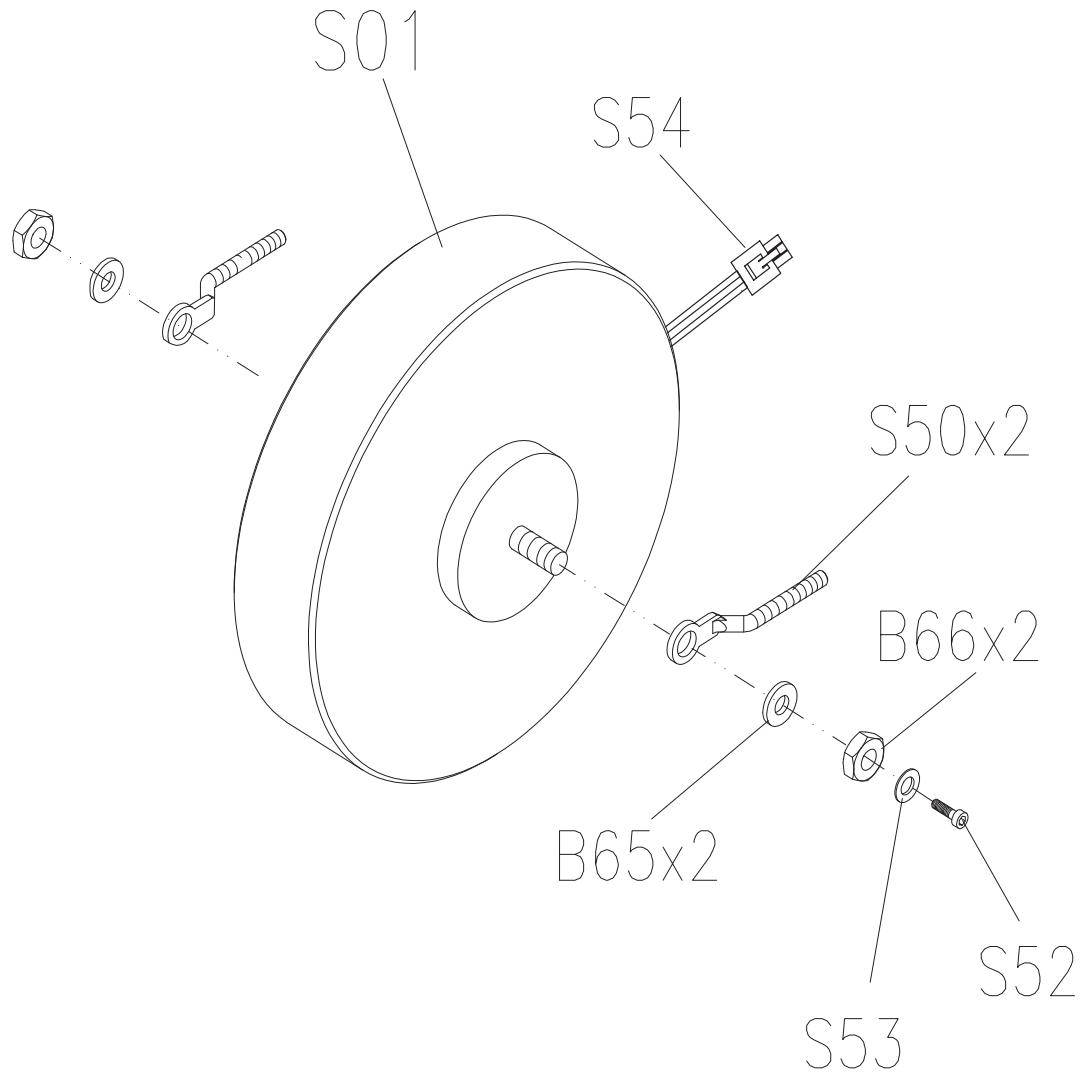
DRAWING NO 圖號	EP81-AR11
PART NAME(CH) 零件名稱(中文)	傳動車由系組
PART NAME(EN) 零件名稱(英文)	DRIVE AXLE SET
SAP PART NO SAP料號	0000093793 A



DRAWING NO 圖號	EP81-AR12
PART NAME(CH) 零件名稱(中文)	皮帶車輪組
PART NAME(EN) 零件名稱(英文)	PULLEY SET
SAP PART NO SAP料號	0000088124

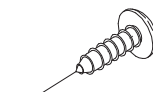
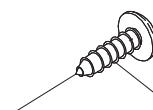
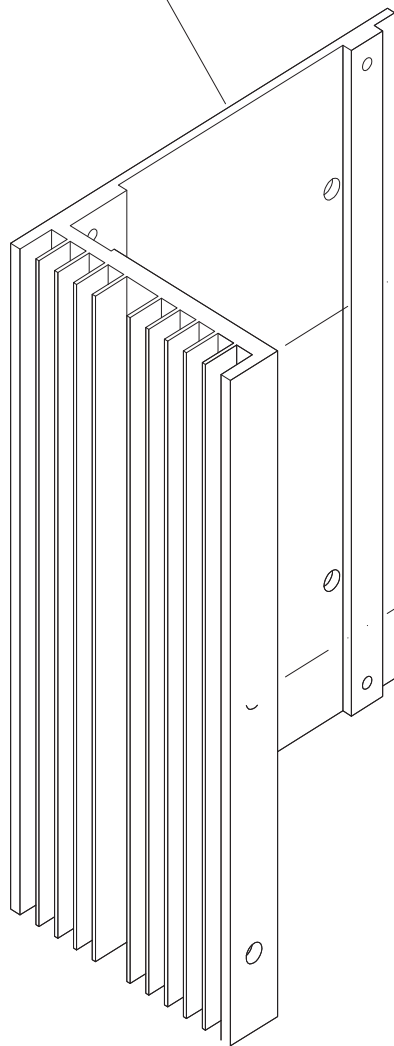


DRAWING NO 圖 號	EP81-AS1
PART NAME(CH) 零件名稱(中文)	發電機組;磁控
PART NAME(EN) 零件名稱(英文)	MAGNETIC SET
SAP PART NO SAP料號	0000087786  B

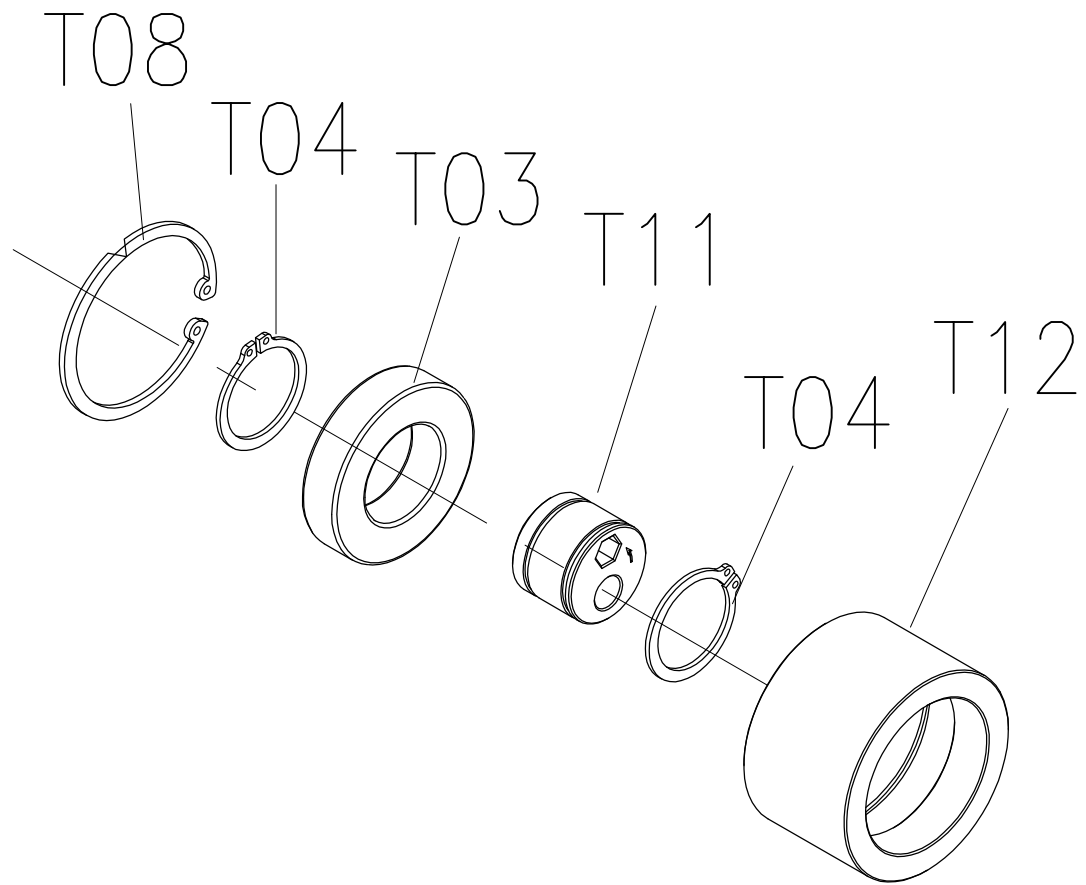


DRAWING NO 圖號	EP301-AS02
PART NAME(CH) 零件名稱(中文)	控制器;磁控
PART NAME(EN) 零件名稱(英文)	Controller Generator
SAP PART NO SAP料號	0000092426  A

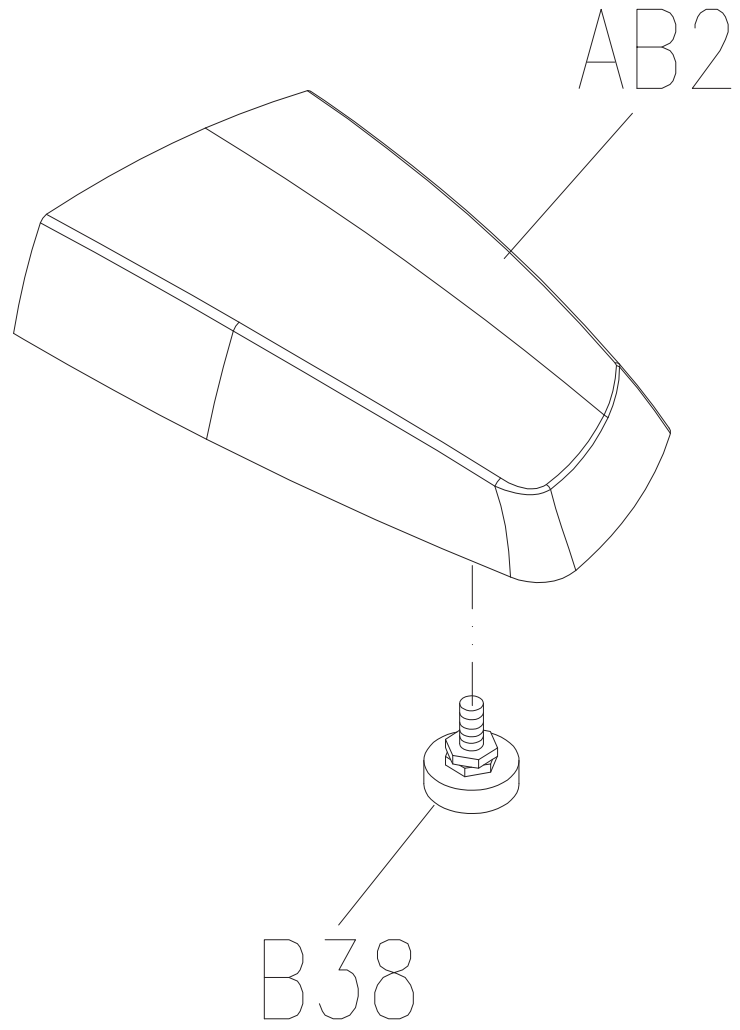
S02



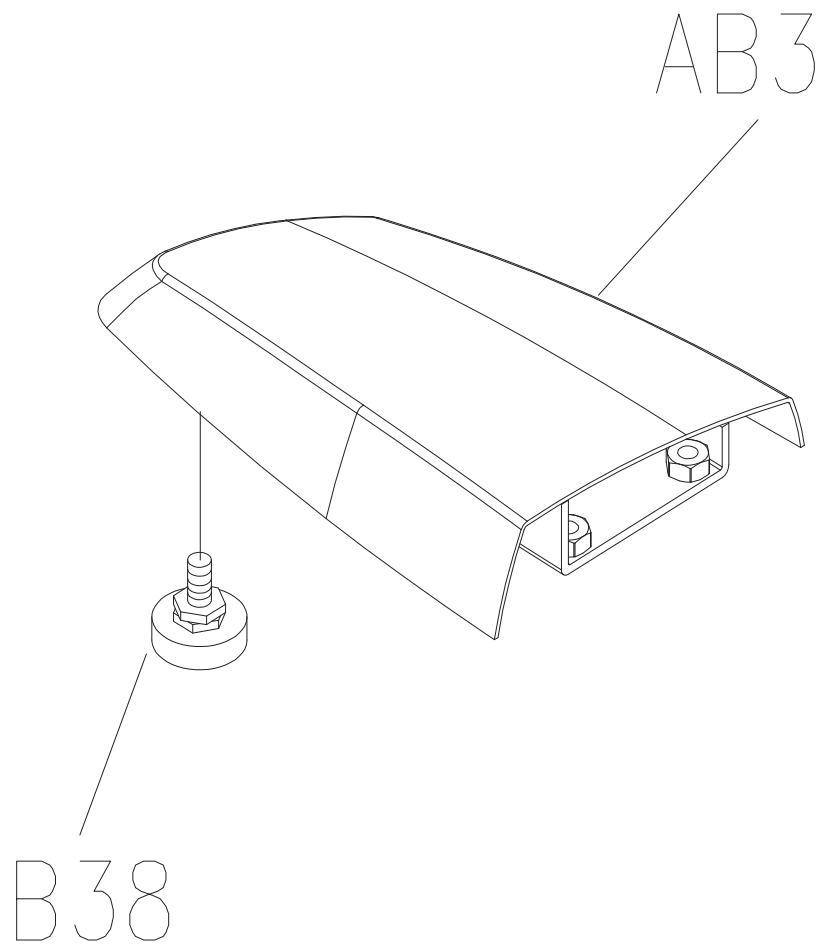
P58



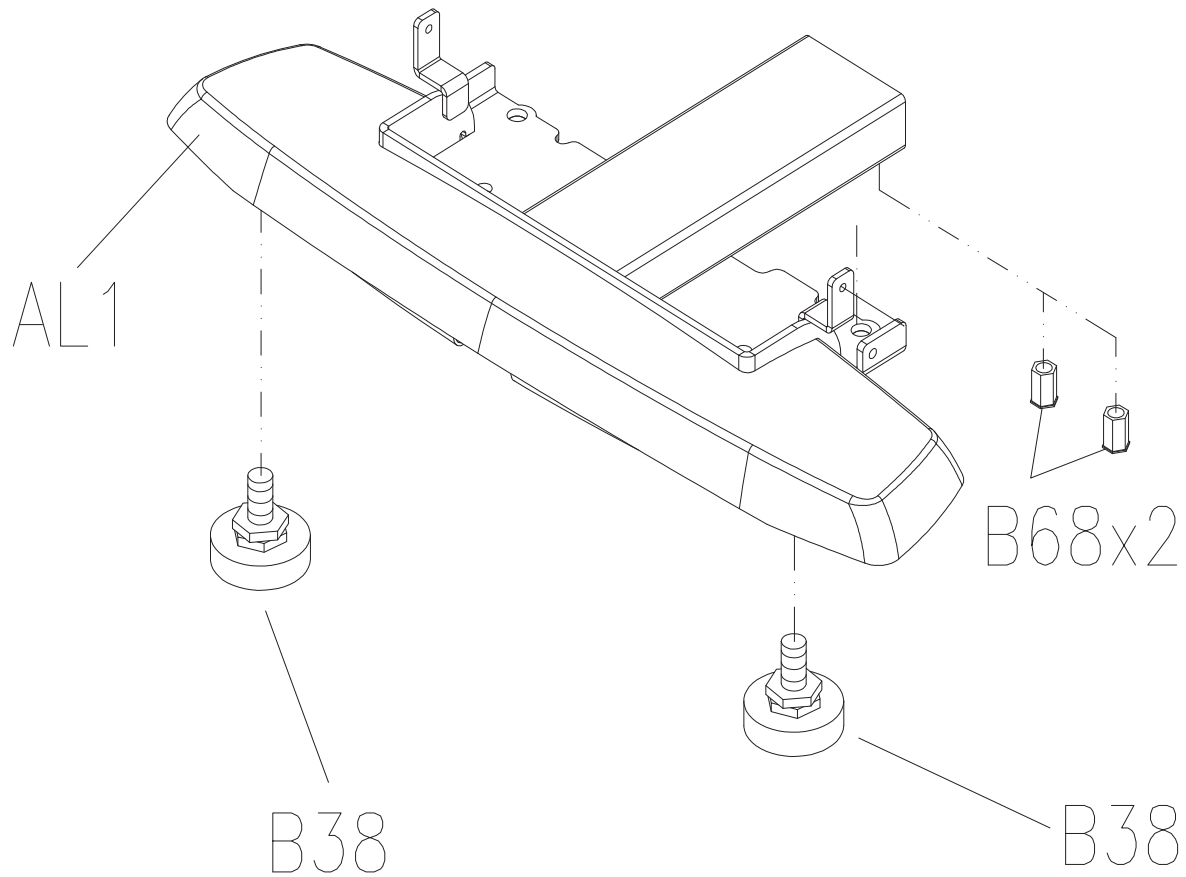
DRAWING NO 圖號	EP81-AB11
PART NAME(CH) 零件名稱(中文)	右貼地桿組
PART NAME(EN) 零件名稱(英文)	RIGHT STABILIZER SET
SAP PART NO SAP料號	0000090642



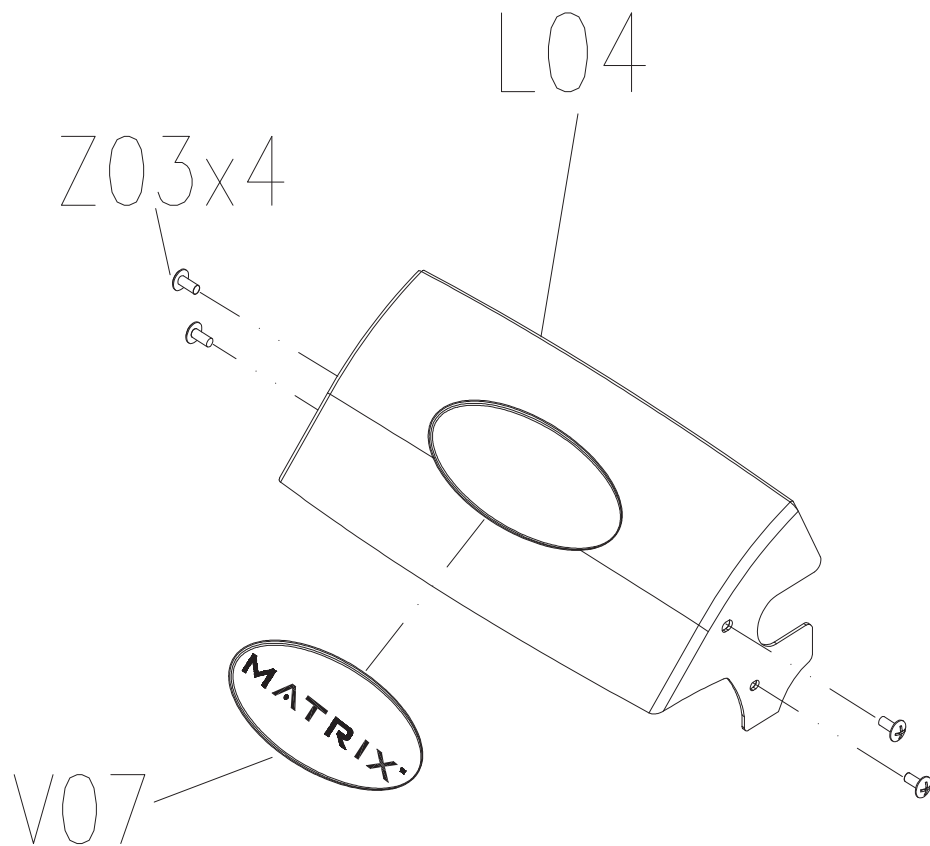
DRAWING NO 圖 號	EP81-AB12
PART NAME(CH) 零件名稱(中文)	左貼地桿組
PART NAME(EN) 零件名稱(英文)	LEFT STABILIZER SET
SAP PART NO SAP料號	0000090643  A



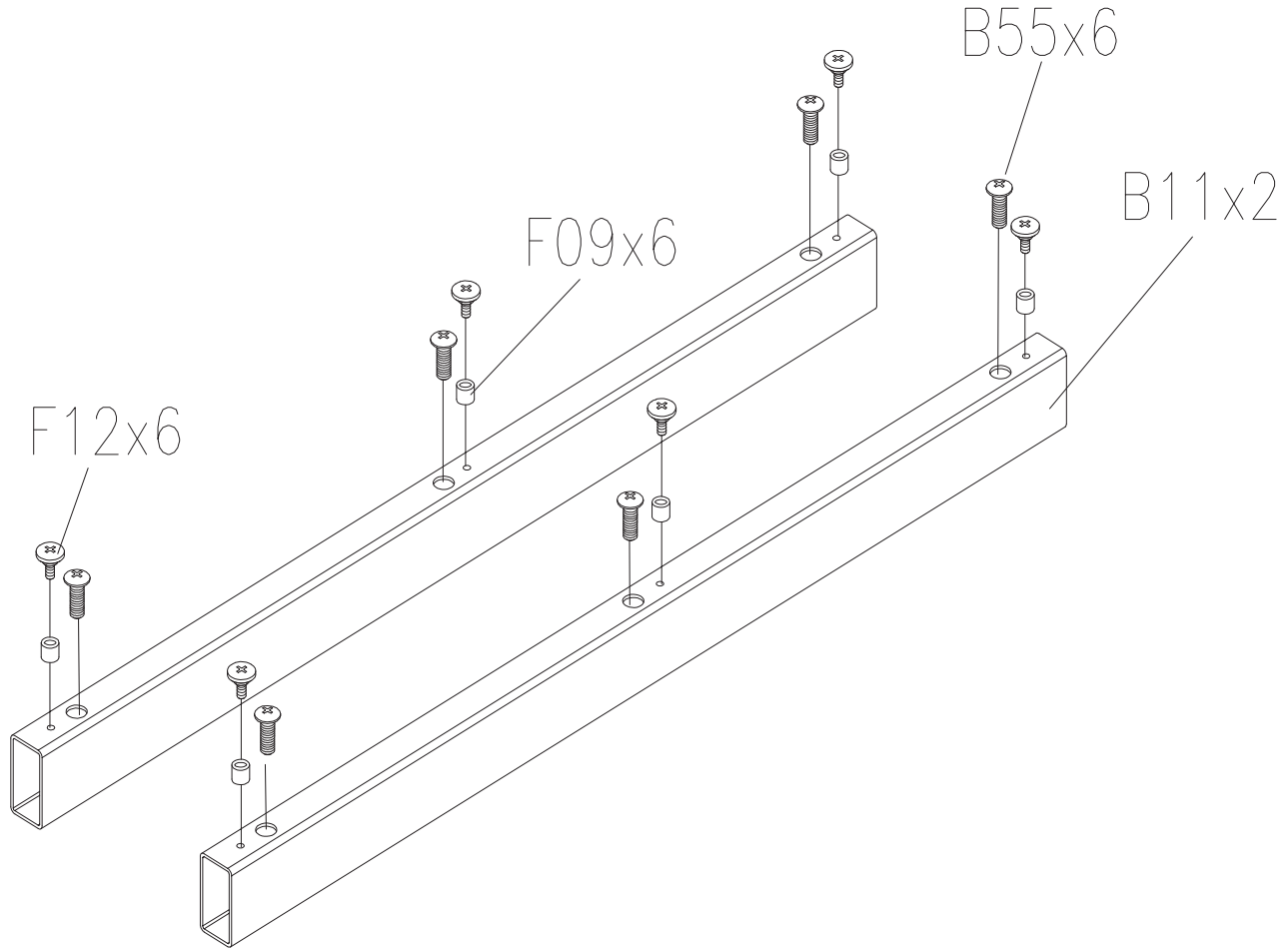
DRAWING NO 圖 號	EP81-AL3
PART NAME(CH) 零件名稱(中文)	貝占地桿組;後
PART NAME(EN) 零件名稱(英文)	BACK STABILIZE REAR
SAP PART NO SAP料號	0000090644 B



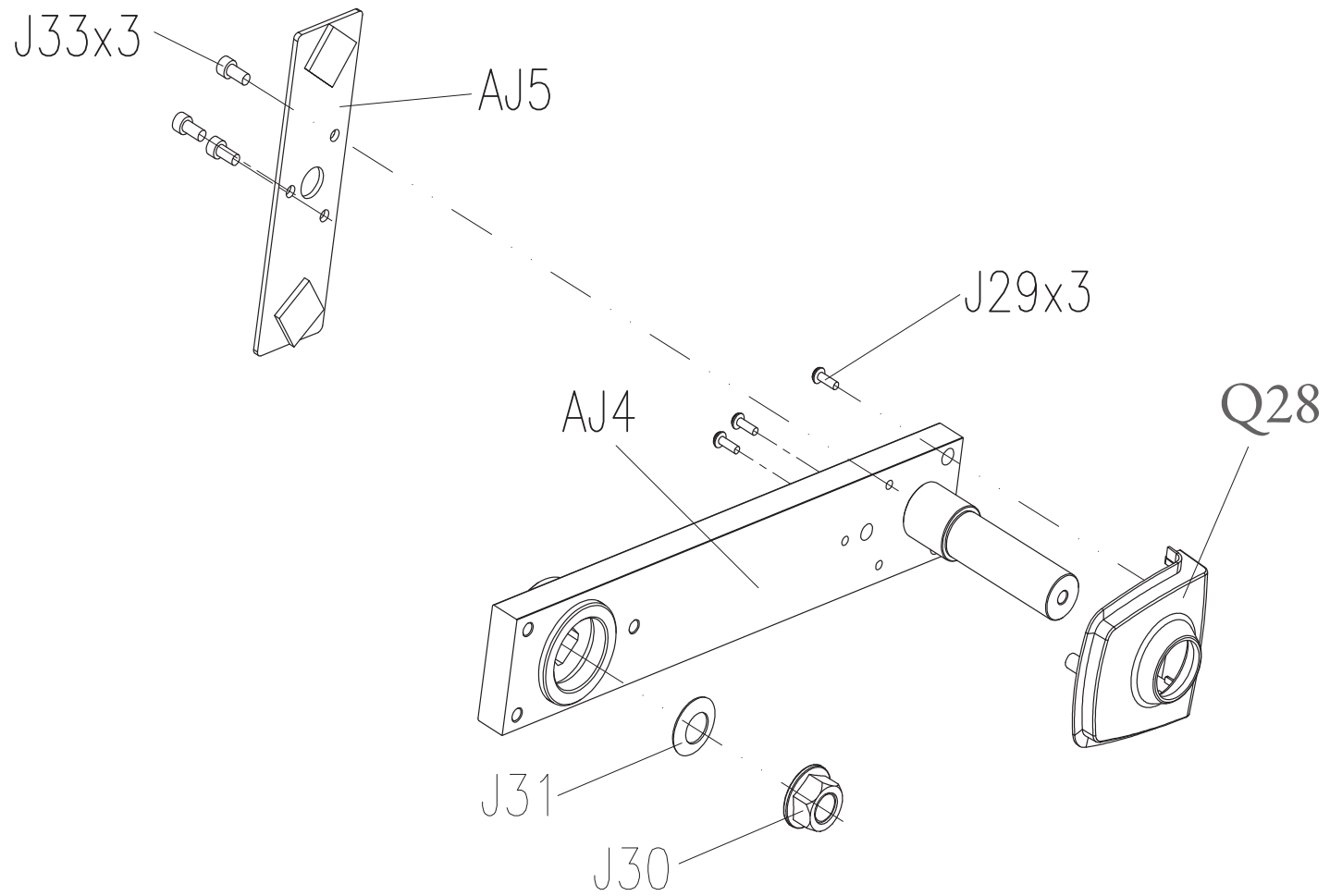
DRAWING NO 圖號	EP81-AL5
PART NAME(CH) 零件名稱(中文)	後護蓋裝飾片組
PART NAME(EN) 零件名稱(英文)	DECORATE PLATE;COVER;B
SAP PART NO SAP料號	0000093130  A



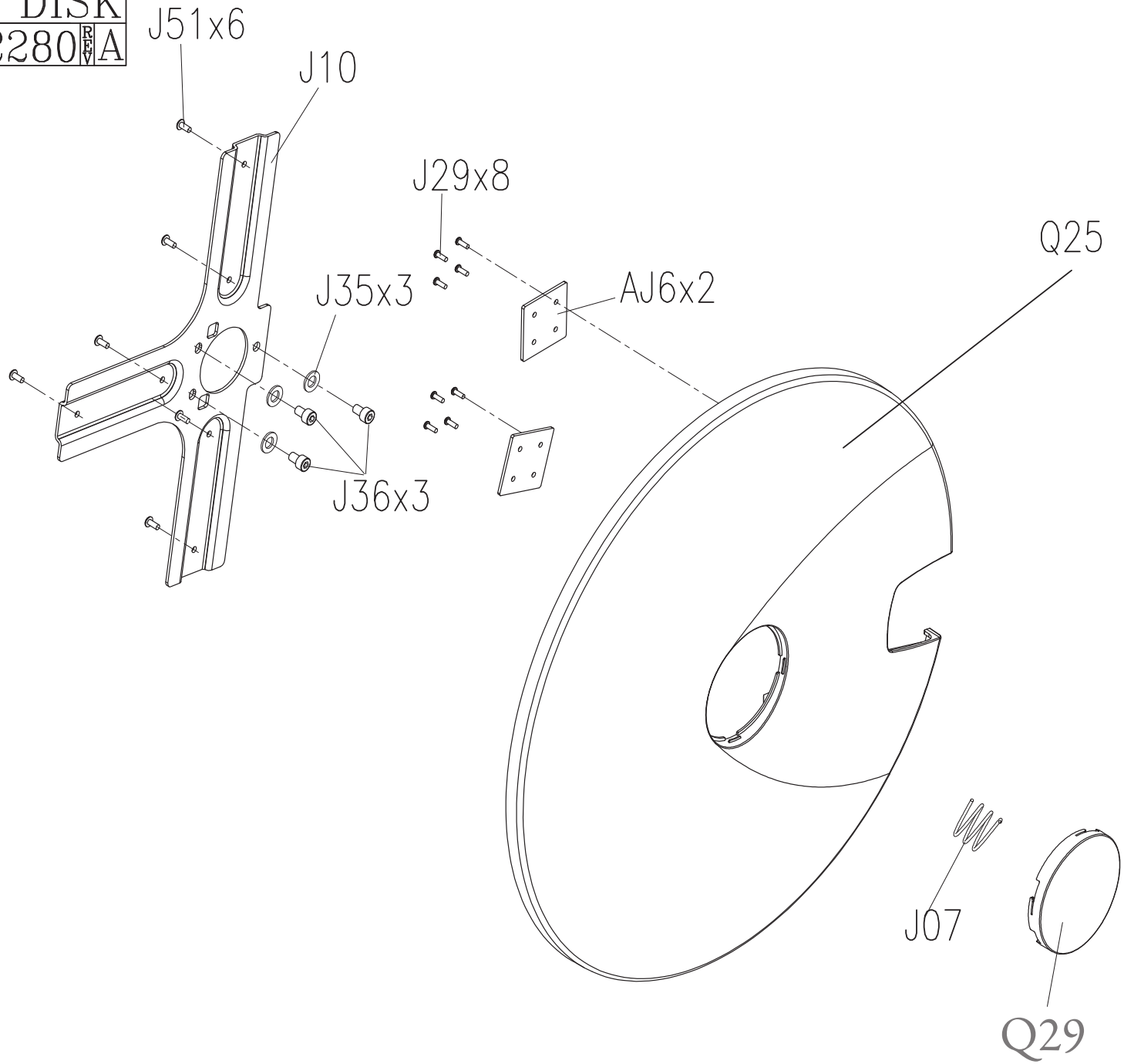
DRAWING NO 圖 號	EP81-AL6
PART NAME(CH) 零件名稱(中文)	滑軌固定管組
PART NAME(EN) 零件名稱(英文)	Fixing Tube;Guide Rail
SAP PART NO SAP料號	0000093093 A



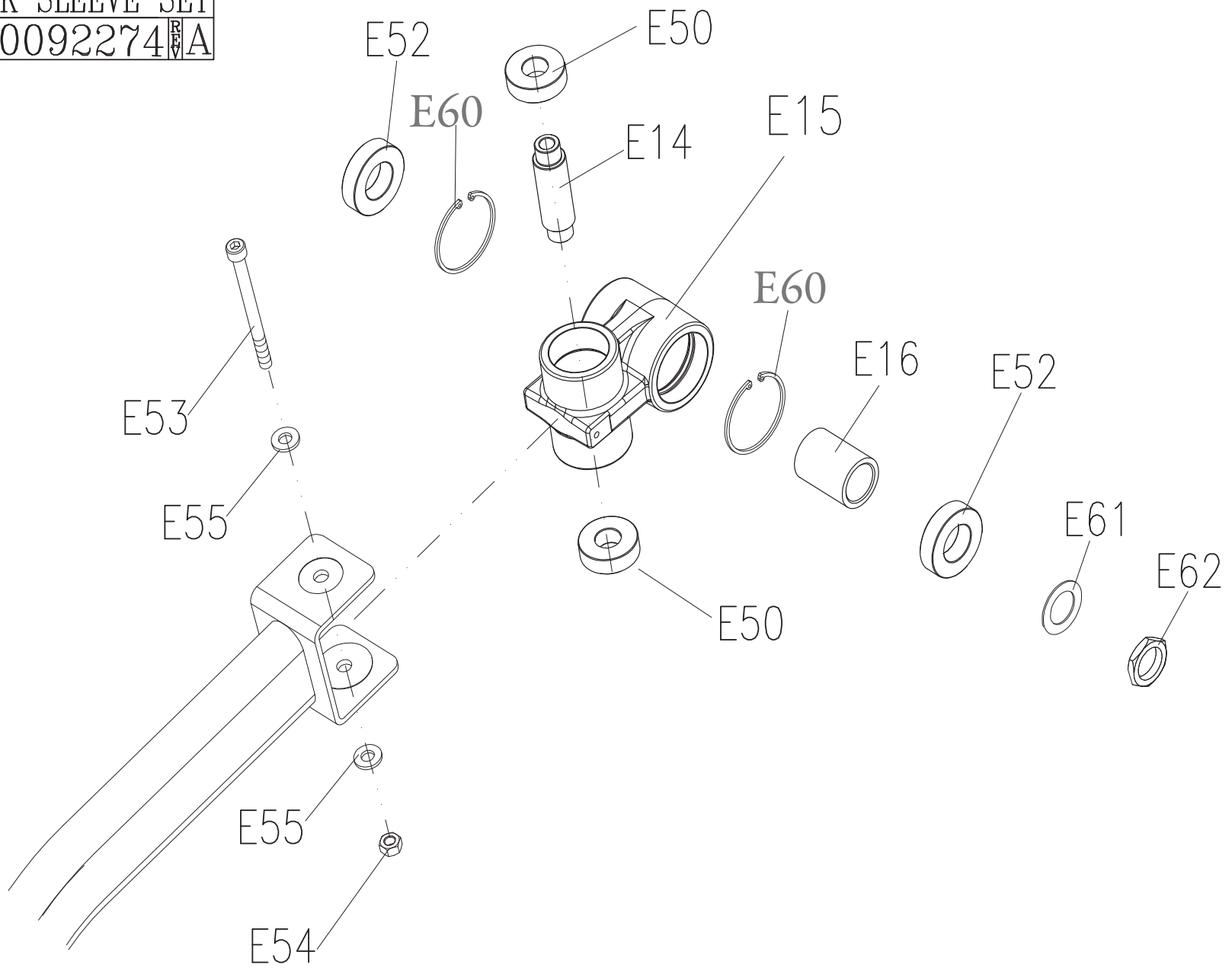
DRAWING NO 圖號	EP79-AJ11
PART NAME(CH) 零件名稱(中文)	曲柄系組
PART NAME(EN) 零件名稱(英文)	CRANK SET
SAP PART NO SAP料號	0000092271



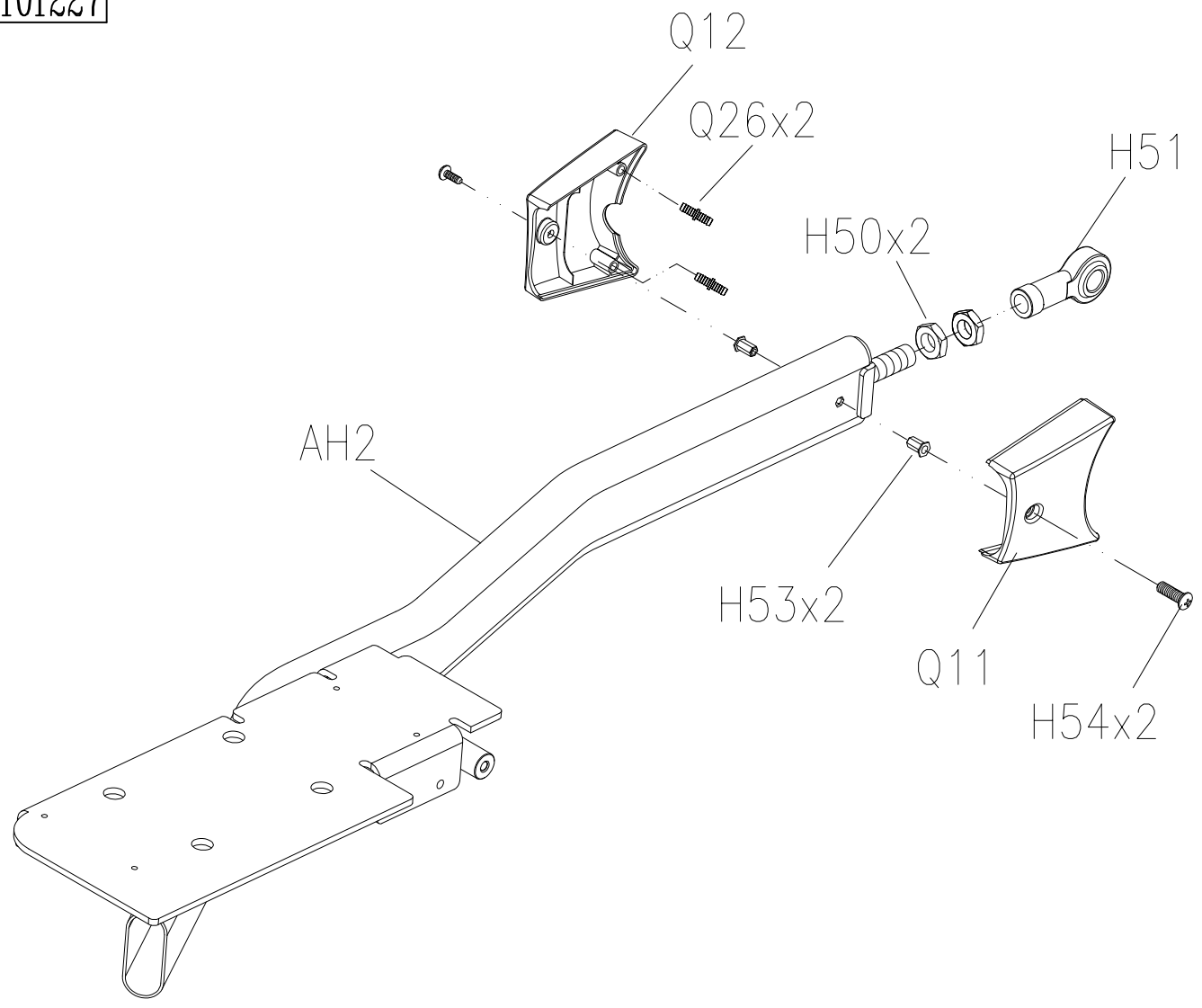
DRAWING NO 圖 號	EP79-AJ12
PART NAME(CH) 零件名稱(中文)	圓盤系目
PART NAME(EN) 零件名稱(英文)	ROUND DISK
SAP PART NO SAP料號	0000092280



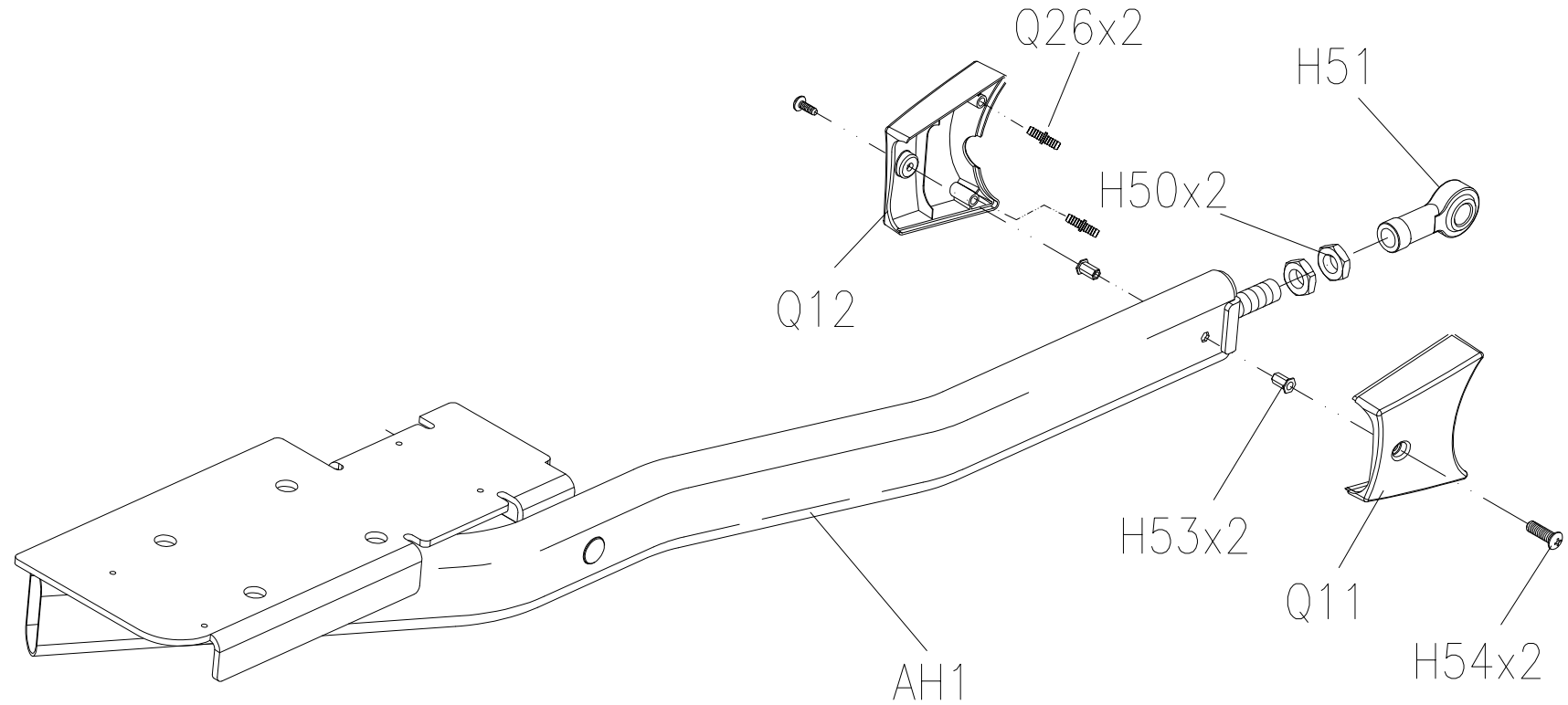
DRAWING NO 圖 號	EP79-AE5
PART NAME(CH) 零件名稱(中文)	曲柄銷套組
PART NAME(EN) 零件名稱(英文)	CRANK SLEEVE SET
SAP PART NO SAP料號	0000092274 A



DRAWING NO	EP81-AH4		
PART NAME	LEFT LOWER LINK ARM SET		
PART NO	0000087768		
APPROVE	tsaijw	DATE	20101227



DRAWING NO	EP81-AH3		
PART NAME	RIGHT LOWER LINK ARM SET		
PART NO	0000087767		
APPROVE	tsaijw	DATE	20101227



Reference	Part #	Description
11	000023547	CONSOLE SET;H001S004;EP301;ES;EN;EP301;
15	0000092396	E-Port Fix Plate Set;E3XC-01;US;EP301
17	0000087828	Side Cover Set;Left;MX-E5XC-F;US;EP81
18	0000087829	Side Cover Set;Right;MX-E5XC-F;US;EP81
2	0000088119	Pedal Arm Set;Right;MX-E5XC-F;;EP81
20	0000093092	Crank Cover Set;PP;BL;MX-E5XC-F;US;EP81
21	0000093793	Drive Axle Set;MX-E5XC-F;US;EP81
22	0000088124	Pulley Axle Set;MX-E5XC-F;EP81
23	0000087786	Generator Set;MX-E5XC-F;US;EP81
28	1000350493	Idler Set;;;Integrated;EP304;
33	0000090644	Stabilizer Set;Rear;MX-E5XC-F;EP81
34	0000093130	Rear Stabilizer Cover Set;B;MX-E5XC;US;EP74
37	0000093093	Guide Rail Fixing Tube Set;MX-E5XC-F;US;EP81
4	0000090647	Rail Set;MX-E5XC-F;US;EP81
40	0000092271	Crank Set;A5X-03;US;EP79
41	0000092280	Round Disk;A5X-03;US;EP79
42	0000092274	Crank Sleeve Set
5	0000087708	Handlebar Set;Right;;MX-E5XC-F;;U
51	0000087749	Rotational Housing Assembly;MX-E5XC-F;US;E
54	053435-Z	Roller Set - D/C,
6	0000087731	Handlebar Set;Left;MX-E5XC-F;;US;EP
8	0000087767	Link Arm Set;Right;MX-E5XC-F;;US;
9	0000087768	Link Arm Set;Left;MX-E5XC-F;US;EP81
AJ5	0000093607	Velcro Location;A5X-03;US;EP79
AJ6	0000093608	Velcro Location;A5X-03;US;EP79
B12	015642-AA	Connecting Tube Cover; Black
B25	015641-AA	Anti-Sweat Cover;SL;;;EP68
B35	003836-C	Roller Axle;F;SS41;EP23
B36	000028-D	Transport Wheel;Nylon;100;BL;;EP23
B38	000490-BA	Leveler;Foot Pad
B52	004980-A	Insert Nut;Hex;NHS-580-3.0(M5X0.8P)
B54	004375-AC	Screw;Phillip;BH;Stainess;M5x0.8Px15L;BE
B55	004375-00	Screw;Phillip;BH;M5x0.8Px15L;Gap;;Zn-BL
B57	0000086513	Screw;Hex Socket;Round;M10x1.5Px40L
B58	004375-AC	Screw;Phillip;BH;Stainess;M5x0.8Px15L;BE
B60	0000093376	Screw;Hex Socket;M8X15;Zn-BL
B63	004931-00	Nut;Locking;Nylon;1/4'-20UNC
B64	005112-00	Washer;Flat;8.2X13.0X1.4T;BAN
B65	005067-00	Washer;Flat;10.2X15.0X1.5T;Black Zinc
B66	004899-00	Nut;Hex;3/8-26UNCX9T
B67	018653-A	Screw;SH;M8X1.25PX22.5L-8L;CRMO;BAN;
B68	004979-00	Insert Nut;Hex;NHS-8125-3.0(M8x1.25P)
C06	008042-F	Connecting Plate;Console Mast
C08	004983-A	Insert Nut;Hex;NKHS-8125-2.5(M8x1.25P)
C11	0000080783	Water Bottle Holder
C12	0000080784	Cover;Screw;PVC;BL;CB62;

C14	005367-00	C-Clip;External;S-30
C54	004375-00	Screw;Phillip;BH;M5x0.8Px15L;Gap;;Zn-BL
C57	004697-AD	Screw;Flat Hex Socket;M8x1.25Px25L
C61	004979-00	Insert Nut;Hex;NHS-8125-3.0(M8x1.25P)
D08	018591-CR	Battery Connecting Plate;9 Volt;150(XAP-02V-1+9V B
D13	018589-DR	Console Cable;Upper;200L;KP H6630P1-08;EP71;
D15	028501-BR	Signal Wire;1;140L;(XAP-10V-1)x2;CB61;
D16	028502-BR	Signal Wire;2;105L;(XAP-08V-1)x2;CB61;
D17	028503-BR	Signal Wire;3;130L;(XAP-05V-1)x2;CB61;
D18	028504-BR	Signal Wire;4;50L;(XAP-05V-1)x2;CB61;
D25	000688-A	Foam Tape;Double Sided;20x30Hx4t
D60	004649-00	Screw;Phillip;Round;3x6L;Black;Gap;;Zn-
E13	053435-Z	Roller Set - D/C,
E16	0000089475	Ring;;;SS41;25.1x44.65;EP72
E23	103297	Bushing;Copper
E28	001447-C	Pedal Pad;Right;Rubber;BL;EP23
E29	001448-C	Pedal Pad;Left;Rubber;FL;EP23
E42	015555-AA	Connecting Plate;Pedal Arm;3 Hole
E51	004980-A	Insert Nut;Hex;NHS-580-3.0(M5X0.8P)
E52	004078-A2	Ball Bearing;6005ZZ;Z25XZ47X12T;;TPI;;;
E53	0000089822	Screw;Hex Socket;Round;M10x1.5Px100L
E54	004885-00	Nut;Hex;M10x1.5P
E55	070073	Washer;Flat; M10.5X25.0PX1.5T;;BZN
E56	004072-A2	Ball Bearing;Flywheel;6002ZZ
E57	037985-00	Washer;Flat;8.2x22.0x1.5t;;Zn-BL
E58	004695-AB	Screw;Hex Socket;Flat;M8x1.25Px12L
E59	004375-AC	Screw;Phillip;BH;Stainess;M5x0.8Px15L;BE
E60	005356-00	C-Clip;Internal;R-47
E61	005025-00	Washer;Flat;25.5x38.0x1.5t;Black Zinc
E62	004957-00	Nut;Lock;M25X1.5P;SS41;BAN
F05	009670-E	Rail;Upper;Anodizing;AL 6063;EP68
F09	009073-B	Ring;Guid Rail;;SS41;;;EP68
F10	001398-CA	Rubber Pad;Guide Rail;Rubber;EP68
F12	0000093798	Screw;BH;M5X0.8PX13L;;PH;Zn Plate
G11	015609-AB	End Cap;Swivel Base
G12	004647-00	Screw;Phillip;Round;3x12L
G13	084533	Screw;Phillip;Round;M3x0.5Px30L;;Zn-BL
G14	034585-CR	Pulse SensorWire;820L;(TKP H66031P-06);
G15	0000082875	Screw;BH;M3X0.5PX20L;;PH;;BZN;;
G50	005355-00	C-Clip;Internal;R-55
G51	009589-A	End Cap;Handlebar;Steel
G52	1000359769	Foam;Handlebar;;PVC;BL/Black C;Diam.32x3
G53	004079-A3	Ball Bearing;6006ZZ;30X55X13T;;TPI;;;
G54	000856-00	Hole plug;KSS HP-10;BL;Market
G55	004539-AC	Screw;Round;Hex Socket;M8X1.25PX25L
G56	005005-00	Washer;Spring;Lock;8.2x15.4x2.0t
H50	004911-00	Nut;Hex;M16x2.0Px7.0L;Zn Pl

H51	004134-00	Bearing;Lower Link Arm End;PHS 16(M16x2) PHS 16(M16X2) - D/C
H53	004980-A	Insert Nut;Hex;NHS-580-3.0(M5X0.8P)
H54	004375-AE	Screw;Phillip;BH;Stainess;M5x0.8Px15L;BE
J07	005487-D	Spring;Compress
J10	0000094396	Fix Plate;Disc;BL;A5X-03;US;EP7
J29	008866-A	Screw;Special;Round;4.0x1.34Px12L(Hi-Lo
J30	004967-AB	Nut;Hex;Flange;M16x1.5P;Carburizing
J31	005245-A	Washer;Lock;16.2x31.5x1.5T
J33	004706-A	Screw;TH;M6X1.0PX16L;;HS;;BZN;;
J35	0000089835	Washer;Ribbed lock;8.5x12.8x0.8tx1.3h;
J36	004493-00	Screw;Hex Socket;Round;M8x1.25Px16L
J51	004364-00	Screw;Oval Head;M5x0.8Px12L
N01	0000083864	Faceplate,Console Plastic(PAINT);EP68-US
N02	0000083865	Console Back Cover
N04	0000091243	Reading Rack;PA-746(Black) - D/C
N05	000932-E	Cap;C-Safe;Black;CB32\\ D/C
N07	0000092368	Overlay;Console;Upper;Eng;PET;0.2t;H3x-0
N09	0000092369	Overlay;Console;Under;Eng;PET;0.2t;H3x-0
N11	0000090936	Fix Plate;Reading Rack;SPHC 2.0t(BED);
N13	0000092370	Overlay;Console;Middle;Eng;PET;0.8t;H3x-
N18	0000083655	Heart Rate Board Receiver;Inbuilt;All in one;SALUTRON 850
N19	0000083902	Bottle Holder;Console Back
N24	0000090779	Control Board;Quick Key
N27	037811-B	LED Apertures Board
N50	004365-00	Screw;Phillip;BH;M5x0.8Px50L;;Zn-BL
N51	0000081745	Screw;Umbrella Cross;M5x0.8Px8L;Stainless
N52	068630-AA	O Type Ring;9.0x5.0x2.0t;
N53	068631-A	Screw;Phillip;BH;Big;M3x0.5Px4L;;
Not Shown	0000092411	Assembly Manual;ENG;A3X-01;US;EP99
P01	002122-FR	Console Cable;1350L;XAP-08V-1;EP68;
P02	002682-CR	Generator Wire;100L;(3.96-5P WH VH+HL20P-03);E
P04	003374-ER	Connect Wire;Power Switch;1600L;(SCD-026
P05	028506-BR	Resistance;Power;Wire;400W 10 750mm;EP6
P07	056225-A	Ferrite;PART OF #79 CABLE;NOT ORDERABLE;
P08	003383-A	Ferrite Choke;FH0900B-2;Lian Ci;TM38
P18	003393-A	Ferrite Core;FH1500B;TM87 K1 RH12.5x12.5x8
P41	004364-00	Screw;Oval Head;M5x0.8Px12L
P45	056007-A	Ground Wire;Extension;Pulse Grip;1300mm
P50	004364-00	Screw;Oval Head;M5x0.8Px12L
P51	004369-AH	Screw;Phillip;BH;Stainess;M5x0.8Px15L;
P52	056226-A	Resistor Cord;FH0900W;Lian Ci;EP68
P54	065248-A	TV Coax Adaptor;Female;F-A028-NBX7-C
P58	0000095416	Screw;BH;M4X0.7PX25L;;PH;Z.P.B;;;
Q03	000220-CA	Boot;Console Mast
Q04	000174-DA	Pedal;Left - D/C
Q05	000175-DA	Pedal;Right
Q06	000049-BA	Cover;Frame;ABS PA-746;BL;EP68

Q08	038428-AA	Cover;Upper
Q10	001150-CA	Boot;Crank
Q11	000330-CA	Boot;Link Arm;Right
Q12	000331-CA	Boot;Link Arm;Left
Q13	000249-DA	Boot;Arm Rest;Left
Q14	000250-DA	Boot;Arm Rest;Right
Q15	000251-DA	Boot;Swivel Axle
Q16	000252-CA	Cover;Handlebar
Q26	001681-A	Fix Pillar;PP;TM81
Q27	007970-B	Connecting Plate;Side Cover;2 Hole
Q28	0000094143	Crank Cover;Right;Round Disk
Q29	0000092174	Disc Cap;ABS PA746;BL;A5X-03;US;EP79
Q52	004615-00	Screw;Umbrella Cross Tapped;4x10L
R09	027963-A	Drive Belt;Poly-V;350-J8\\ D/C
R16	004991-00	Key;Round;Dual-End;6X6X20L
R17	005367-00	C-Clip;External;S-30
R40	004988-00	Key;Round;Dual-End;6x6x14L
R43	008916-B	Nut;Hex;S45C;ZN;;
R48	004961-A	Nut;Hex;M30x1.5Px8T
R50	005121-00	Washer;Flat;30.3X45.0X1.2T;SPGC
R51	0000081707	Washer;Star;1.5 Zinc
S50	004692-A	Bolt;Eye Hook;1/4-20UNCx40L
S52	004447-AB	Screw;Hex Socket;Round;M5x0.8Px12L;Adher
S53	005078-00	Washer;Flat;5.3x10x1.0T;Black Zinc
S54	003393-A	Ferrite Core;FH1500B;TM87 K1 RH12.5x12.5x8
T04	005367-00	C-Clip;External;S-30
T08	005355-00	C-Clip;Internal;R-55
T12	0000093767	Idler Outer Ring;SS41;A5X-03;US;EP79
TP06	0000093219	Jacket;PVC;A5X-03-F;US;EP79
V05	006675-C	Decal;Aperture;TV Rack
V07	027982-B	Decal;Side Cover;EP68-US;EP68
W26	032524-CR	Membrane Keypad;Right;Plane 4Key;CB64
W28	037756-AA	Display Board;Matrix;CB64;
W30	037758-AAR	Load Board;Program;CB64;
W35	056004-A	Pulse Sensor Wire;300L
W37	056008-A	Ground Wire;Pulse Grip;100L;(KST FDFNYD2-250-1 HSG
W38	003383-A	Ferrite Choke;FH0900B-2;Lian Ci;TM38
W39	059890-A	Ribbon Cable Cord;K5A RP 28.5x6.5x12;Jia Zhen;EP68
Y25	034586-BR	Quickl Key Wire;200L;(TKP H6630P-06+TKP
Z01	004479-00	Screw;Round;Hex Socket;M8X1.25PX15L
Z02	005229-00	Washer;Wavy;20.5x29.0x1.5T;Nylon
Z03	004370-00	Screw;Phillip;BH;M5x0.8Px10L;;Zn-BL
Z04	004533-AB	Screw;Hex Socket;Round;M8x1.25Px65L
Z05	004488-00	Screw;Hex Socket;Round;M8x1.25Px55L;BED;
Z06	1000108777	Washer;Flat;M8.2x16Px1.0T
Z07	004926-00	Nut;Nylon;M8x1.25P
Z08	005220-00	Washer;Wavy;20.7x29.1x.3T

Z09	020045-00	Screw;Phillip;Sink;M5x0.8Px12L;;Zn-BL
Z13	020105-AC	Screw;Hex Socket;Round;M10x1.5Px15L;Adhe
Z14	004482-AB	Screw;Hex Socket;Round;M8x1.25Px20L;Cr
Z30	009081-C	Rod End Bearing Sleeve;SS41;EP68-Z30C;
Z31	004482-AC	Screw;Hex Socket;Round;M8x1.25Px20L;BED;
Z32	020425-00	Washer;Flat;8.4x15.5x1.6T
Z34	004539-AC	Screw;Round;Hex Socket;M8X1.25PX25L
AB2	Part of Kit 31	Stabilizer;Right;SL;;;EP76
AB3	Part of Kit 32	Stabilizer;Left;SL;;;EP76
AC1	Part of Kit 1	Painting;Console Mast Set;SL;EP68;
AD8	Part of Kit 57	Overlay Set;QUICK KEY;L;EP301;EN;
AD9	Part of Kit 57	Overlay Set;QUICK KEY;R;EP301;EN;
AE1	Part of Kit 2	Painting;Pedal Arm;SL;;R;;EP68
AE2	Part of Kit 3	Painting;Pedal Arm;SL;;L;;EP68
AG1	Part of Kit 5	Handlebar;Right;SL;;R;;EP68
AG2	Part of Kit 6	Handlebar;Left;SL;;L;;EP68
AG4	Part of Kit 7	HR Handlebar;PVC DIPPING;;;EP23
AH1	Part of Kit 8	Painting;Pedal Arm;Right;SL;;;EP68
AH2	Part of Kit 9	Painting;Pedal Arm;Left;;;EP68
AJ4	Part of Kit 40	Crank;BL;A5X-03;US;EP79
B11	Part of Kit 37	Painting;Guide Rail Fix Tube;BL;;;EP68
D71	0000083867	Console Battery Cover(PAINT);WH/GD;+PU;
E11	Part of Kit 54	Roller;PU;EP68-E11E
E14	Part of Kit 42	Crank Sleeve Axle;S45C;EP72-E14C;
E15	Part of Kit 42	Crank Sleeve;FCD45;BED;A5X-03;US;EP7
G07	Part of Kit 51	Painting;Swivel Base;SL/GY;TWO COAT&PAIN
L04	Part of Kit 34	Painting;Decorate Plate;Cover;B;
N06	0000083866	Console Battery Cover(PAINT);WH/GD+PU
N08	0000090567	Overlay;Reading Rack;PC-8B35(BL);EP74-N0
N201	Part of Kit 57	Grip Sensor;ABS
N202	Part of Kit 57	Grip Sensor;ABS
Not Shown	0000092432	Carton;E3XC-01;US;EP301
P06	065246-A	TV Signal Wire;1600L;(FM-0086-NBG7)x2;EP
Q01	Part of Kit 17	Side Cover;Left;EP68-US;EP68-Q01
Q02	Part of Kit 18	Side Cover;Right;EP68-US;EP68-Q02
Q19	Part of Kit 15	E-Port Fix Plate;ABS PA-746(BL);EP68-Q19
Q25	Part of Kit 41	Disc;SL/GY;A5X-03;US;EP79
R01	Part of Kit 21	Axle;TRANSMISSION;SCM440;EP68-R01C;
R02	Part of Kit 22	Axle;Pulley;;S45C;14J;;;EP74-R02
R03	Part of Kit 21	Pulley;SMOOTH FACE;;;FC25;231;;
R04	Part of Kit 22	Pulley;POLY-V;;;NYLON 66+30%FIBER;J8176
R08	Part of Kit 22	Bearing;Ball;6006LUZ;30X55X13T;;TPI;;
R41	Part of Kit 21	Sleeve;CTR TUBE A;SS41;EP23-R41F;
R42	Part of Kit 22	Sleeve;CTR TUBE B;SS41;EP68-R42E;
R44	Part of Kit 22	Ring;CTR TUBE;SS41;EP72-R44A;
R46	Part of Kit 22	Ring;AXLE;A;;;;EP68
S01	Part of Kit 23	Generator;210 CE EP MX/600SERIES400W;J

S02	Part of Kit 24	Lower Control Board;H002;U5,R5,E5;CB32
T11	Part of Kit 28	Idler Axle;SS41;;EP72-T11;
W01	0000092442	Control Board;Console;H001S004;Coating;E
W29	037757-AAR	Display Board;*Type;CB64;Add Coating
1	0000092423	Console Mast Set;E3XC-01;US;EP301
11	0000092435	Console Set;H001S004
24	0000092426	Lower Control Board Set;E3XC-01;US;EP301\\ D/C
28	0000093737	Tension Wheel Set;Idler
3	0000088120	Pedal Arm Set;Left;;MX-E5XC-F;;EP81 - D/C
31	0000090642	Front Stabilizer Set;Right;MX-E5XC-F;US;EP81
32	0000090643	Front Stabilizer Set;Left;MX-E5XC-F;US;EP81
57	0000093820	Pulse Sensor Set - D/C
7	0000092389	Handlebar Set;F;EP301;-;EN - D/C
AL1	0000085278	Stabilizer;Rear;B;EP74-US;
D24	028505-DR	Signal Wire;5;65L;(FFC-14PIN)x2;CB61;
E13	008880-B	Axle Ring;Main;SS41;EP68-E13B-01
E13	0000088151	ROLLER SET;MX-E5XC-F;US;EP81
E23	022478-B	Bushing;MS;34;EP23;Copper
E50	004080-00	Ball Bearing;6203ZZ;17X40X12T;;TPI;;;
E52	004078-A2	Ball Bearing;6005ZZ;Z25XZ47X12T;;TPI;;;
E52	004078-00	Ball Bearing;6005ZZ;25X47X12T;;SKF;;;
F01	1000317580	Guide Rail&Roller; Set;;;E5xc/E5X/E7X/E7X - D/C
F01	0000085977	Guide Rail;AL 6061;EP74-F01;
G52	072166	Foam; Arm Rest; 31D*3T*543L;BL;;JHT
H50	004911-00X	Nut;Hex;M16X2.0PX7.0T;Zinc
Q09	001192-CA	Cover;Roller Wheel\\ D/C
Q09	001192-CA	Cover;Roller Wheel\\ D/C
R11	0000087101	Drive Belt;Poly-V;420-J14;Carlisle;;Rubber;Net\\ D/C
S52	004447-00	Screw;Hex Socket;Round;M5x0.8Px12L;;Zn-B
T03	0000086846	Bearing;Ball;60066LUZ(30x55x13t);TPI - D/C
W25	023272-CR	Membrane Keypad;Left;Plane 4Key;CB64 - D/C
W27	034598-BR	Membrane Keypad;Down;Plane 4Key;CB64\\ D/C
W36	056009-A	Power Wire;Heart Rate Board;220L;(TKP 2510A-3P - D/C